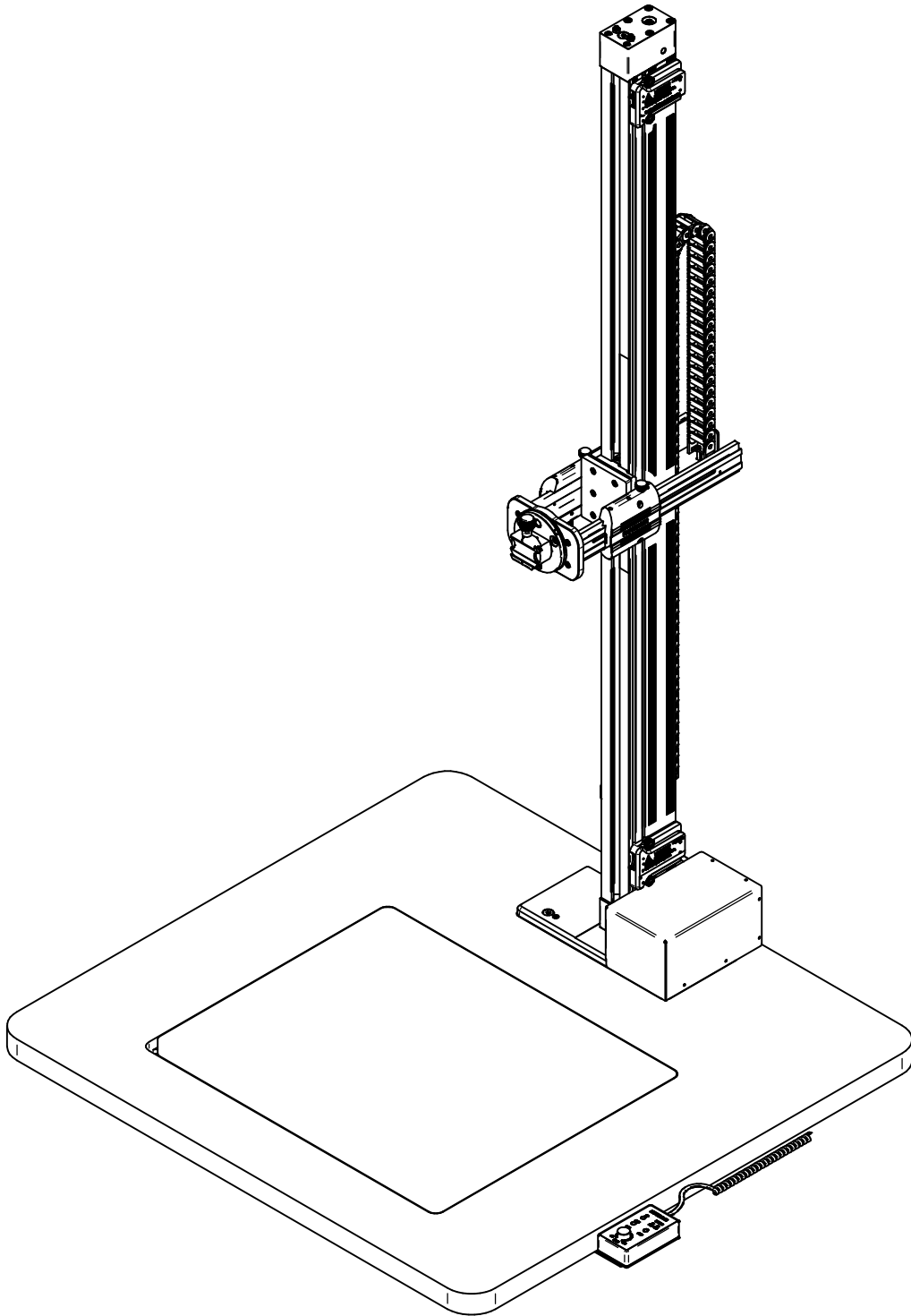
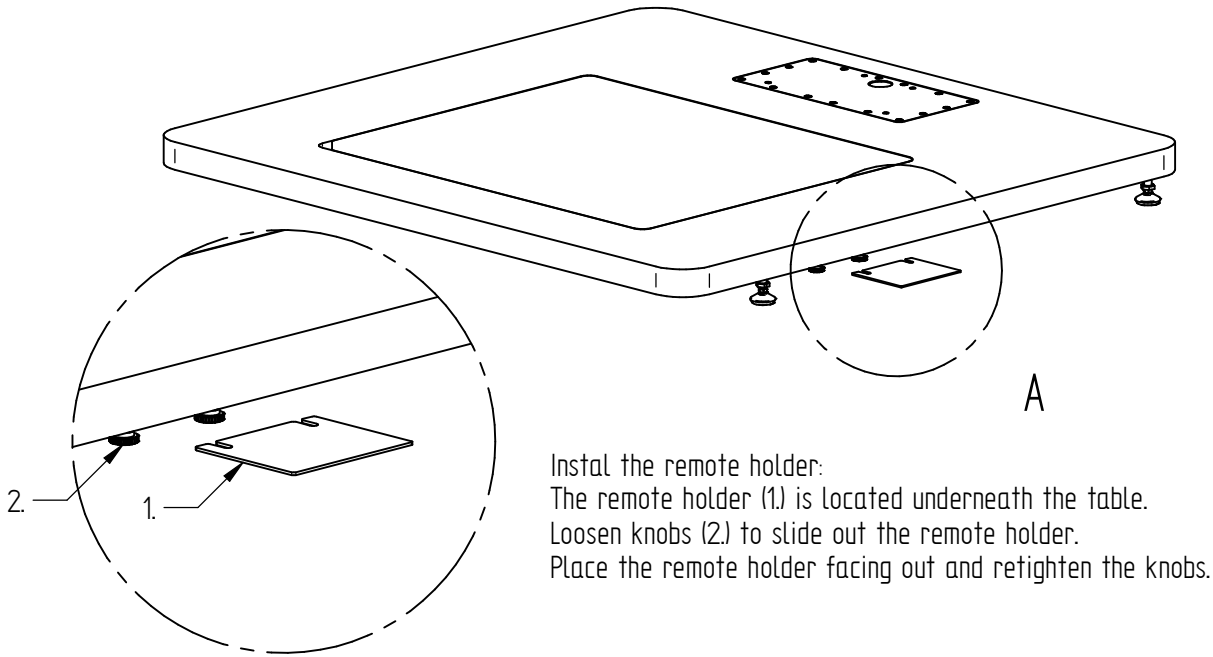


PHASEONE TABLE TOP COLUMN  
INSTALLATION MANUAL  
READ CAREFULLY BEFORE UNPACKING!



# UNPACK THE TABLE

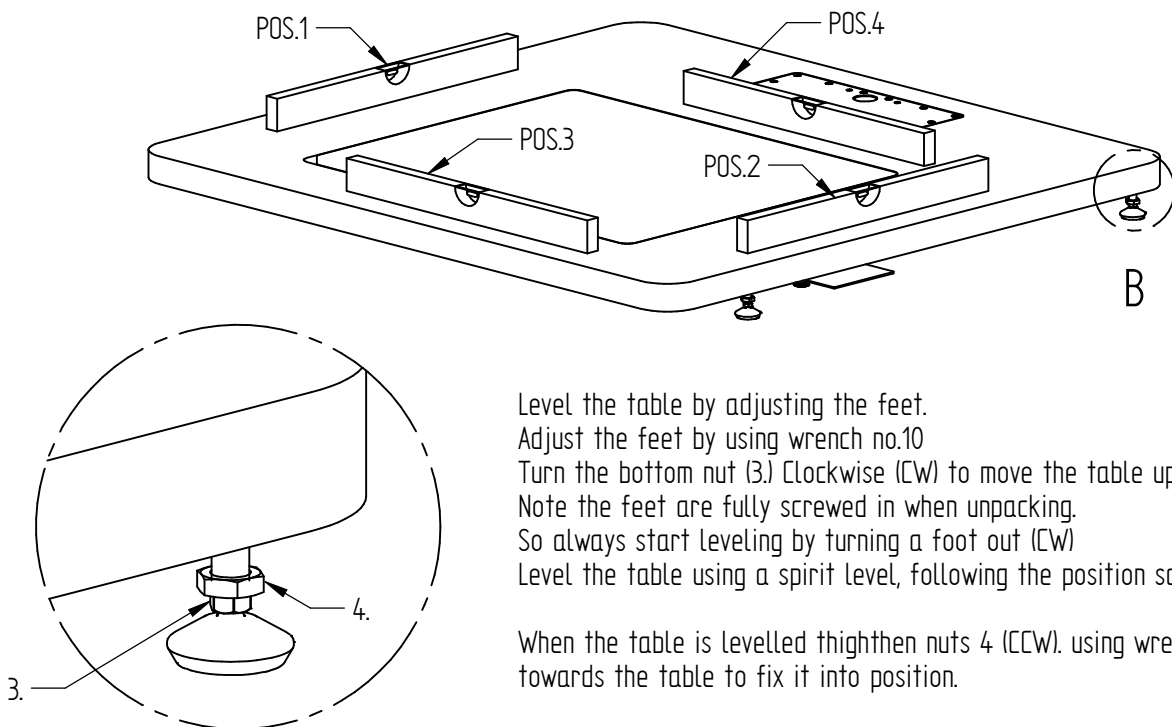
NECESSARY BOLTS AND KEYS ARE SUPPLIED  
INSIDE THE BROWN ACCESSORY BOX INSIDE THE COLUMN PACKAGING



DETAIL A

Install the remote holder:  
The remote holder (1) is located underneath the table.  
Loosen knobs (2) to slide out the remote holder.  
Place the remote holder facing out and retighten the knobs.

# LEVEL THE TABLE



DETAIL B

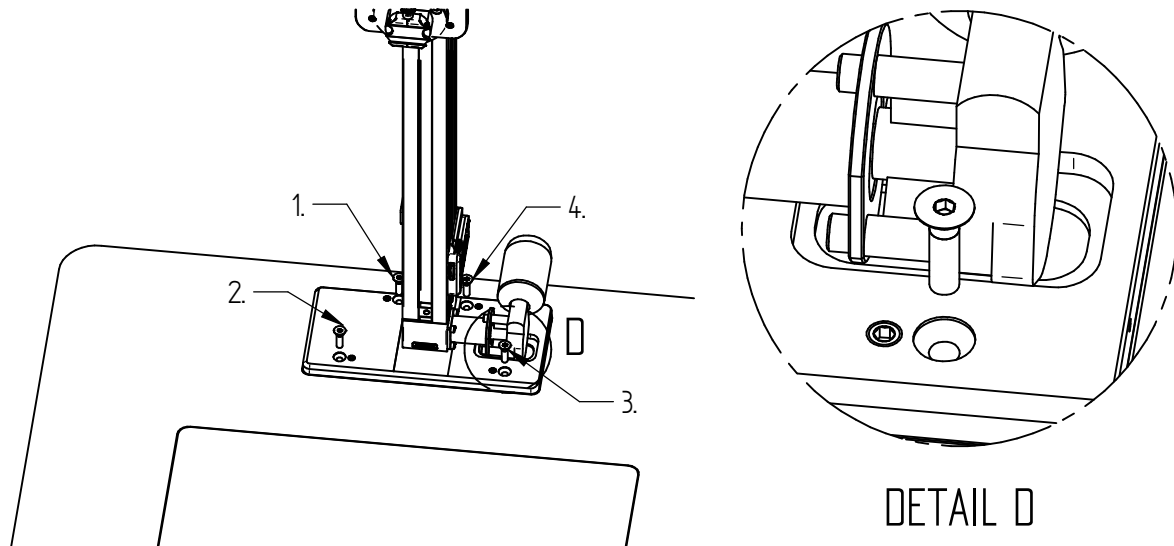
Level the table by adjusting the feet.  
Adjust the feet by using wrench no.10  
Turn the bottom nut (3.) Clockwise (CW) to move the table up.  
Note the feet are fully screwed in when unpacking.  
So always start leveling by turning a foot out (CW)  
Level the table using a spirit level, following the position scheme.

When the table is levelled thightthen nuts 4 (CCW). using wrench no. 17  
towards the table to fix it into position.

# UNPACK THE COLUMN

Unpack the column by lifting it vertically from the packaging.  
Remove the plastic and start by fixing the column to the table.

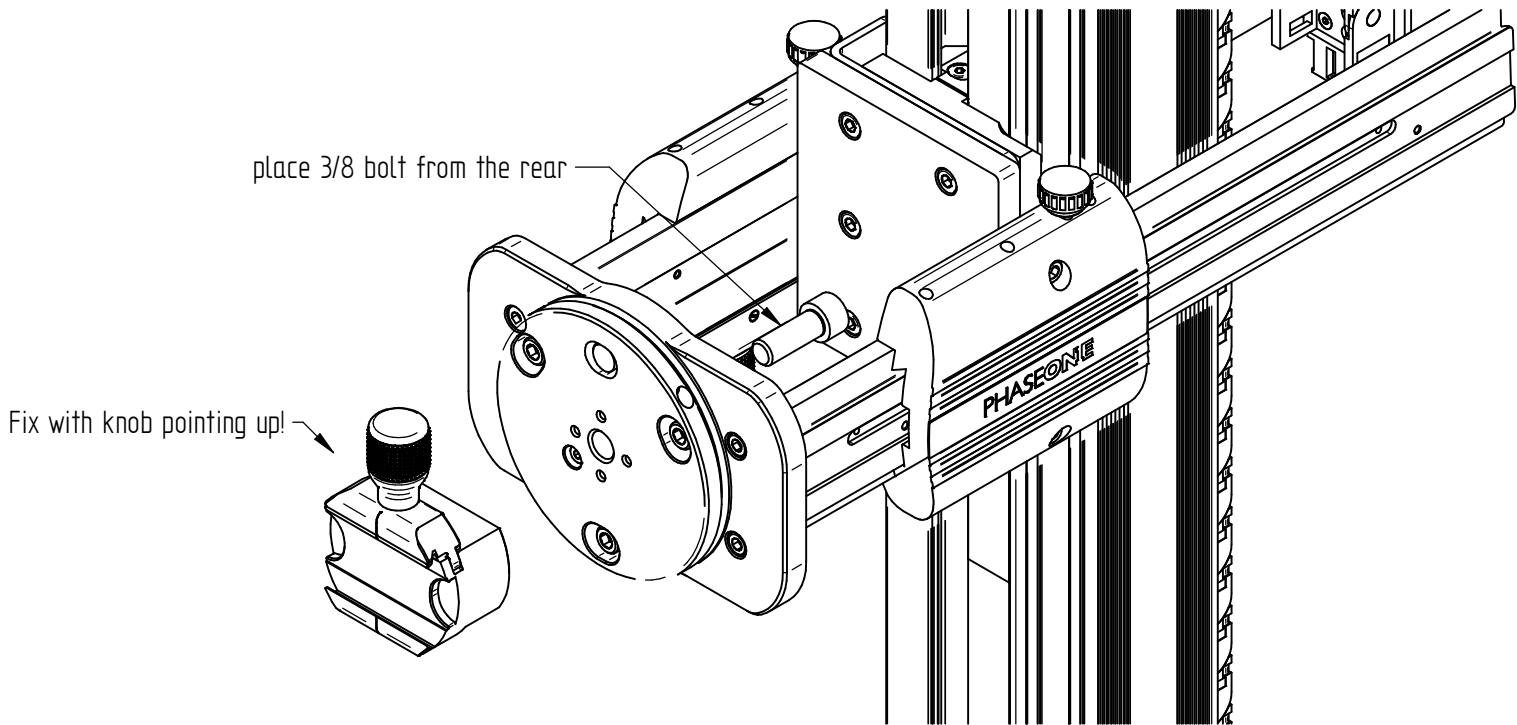
## FIX THE COLUMN TO THE TABLE



Place the footplate of the column on top of the metal insert plat of the table carefully.  
Fix the column to the table using the four supplied M8x30 countersunk bolts using Allen Key 5mm  
Tighten firmly!

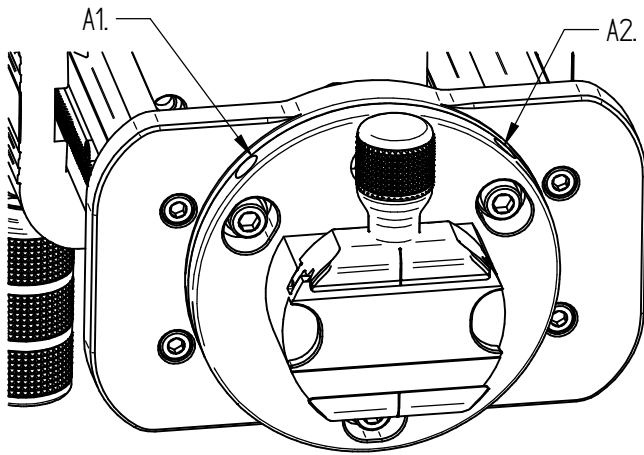
**IMPORTANT NOTE! DO NOT TOUCH THE SET SCREWS. THESE ARE PRE-SET!!**

# FIX THE QUICK RELEASE



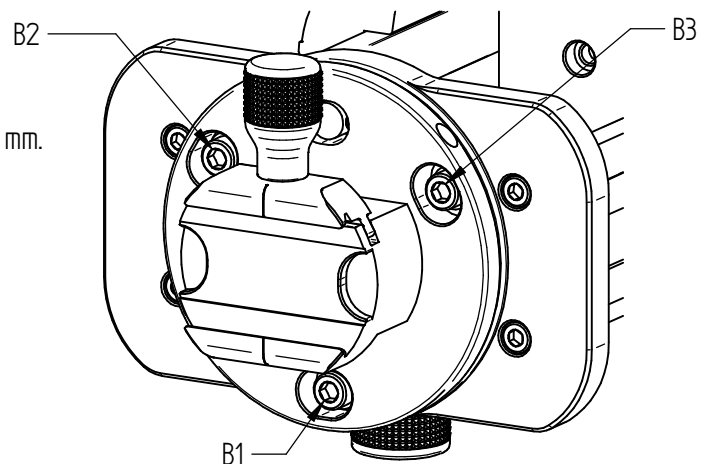
Fix the quick release with the knob pointing up!  
Push the pins of the quick release in the designated holes of the leveling plate.  
Fix the quick release using the supplied 3/8 bolt using key 5/16  
Tighten firmly.

# LEVEL THE QUICKRELEASE



To level the quick release (QR) in the horizontal plane  
Use Allen Key 2,5mm to set the screws A1 and A2.  
To adjust the QR clockwise, fully loosen setscrew A1,  
then tighten A2 until the camera is levelled.  
Then re-tighten set screw A1.  
DO NOT OVER-TIGHTEN, FIXED IS FIXED.

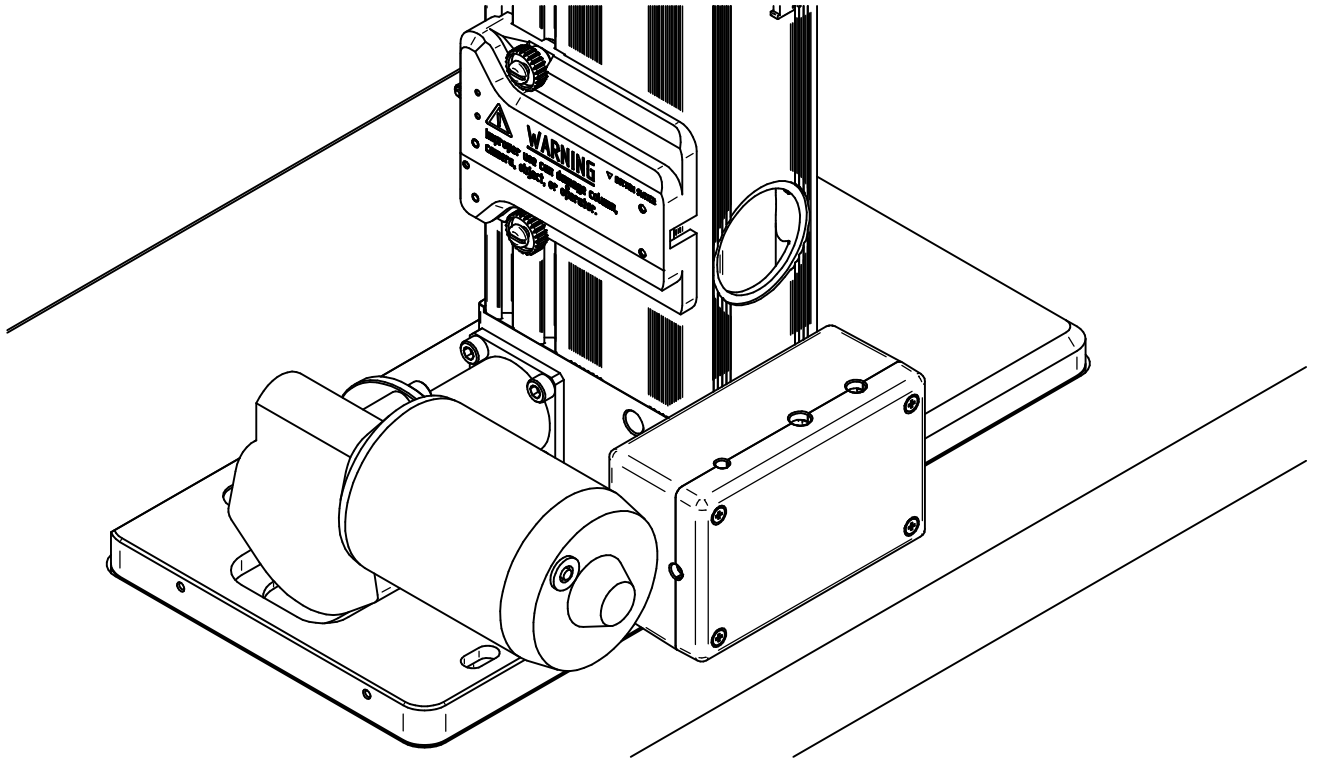
To adjust the QR counter clockwise,  
fully loosen setscrew A2 then tighten A1 until the camera is levelled.  
Re-tighten A1 to fix position.



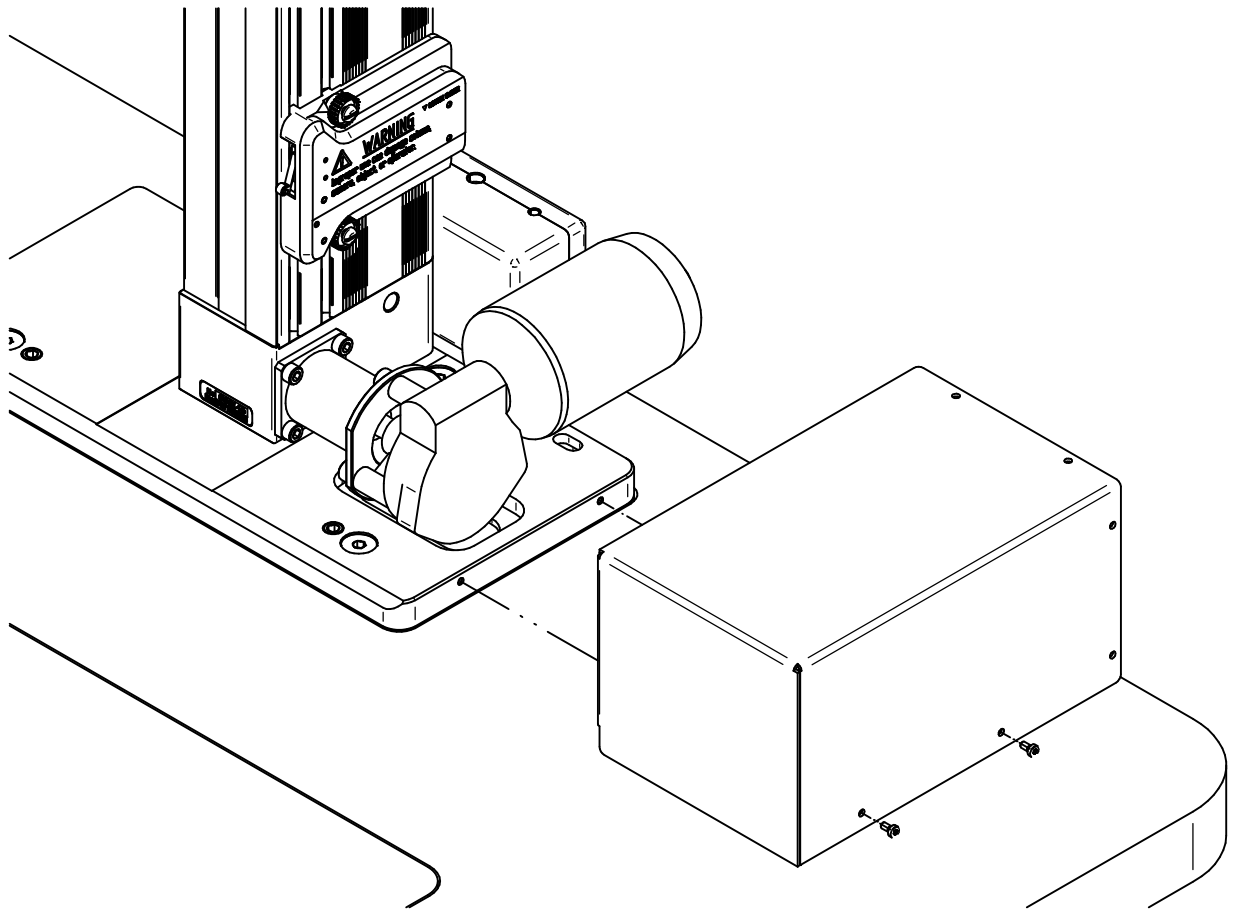
To level the vertical plane, set the level screws B using Allen Key 5 mm.  
Set screws B2 and B3 to tilt and swing the camera,  
by tightening or loosening B2 and B3.

Note: only in exceptional circumstances screw B1 is used!  
B1 is only used when the adjustment of B2 and B3 is not sufficient.

# FIX THE MOTOR CASE

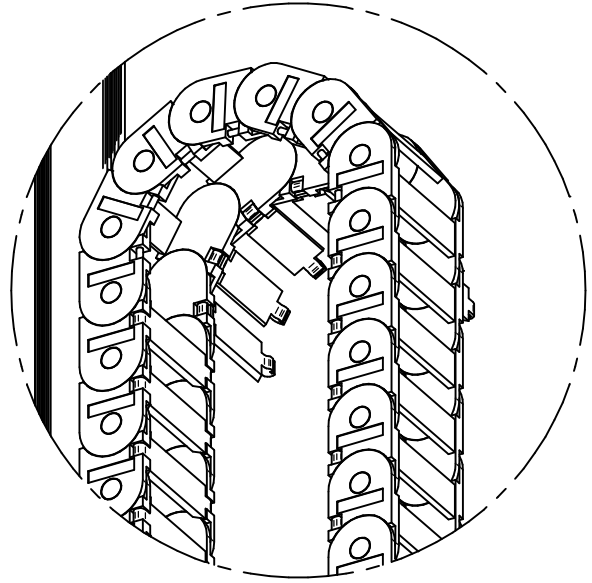
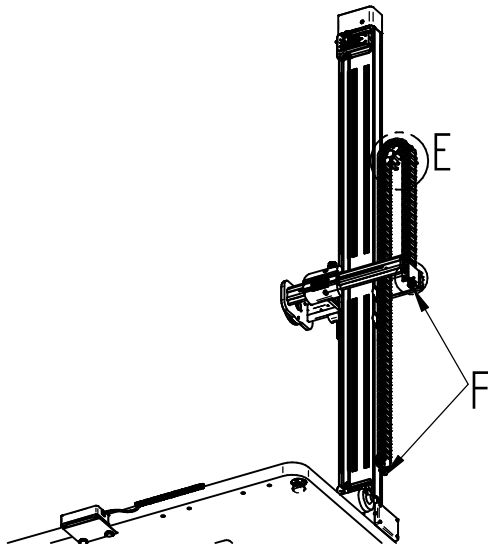


Fix the motor control box to the back of the column by using the designated velcro strips.



Fix the motor case to the footplate by using the supplied m3x6 socket head cap screws using the 2mm Allen Key.

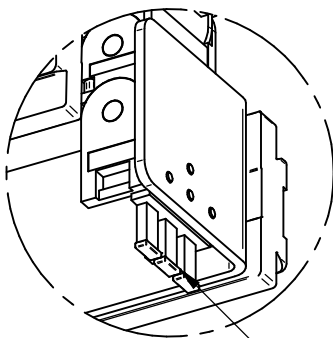
# CABLE GUIDANCE



DETAIL E

Open the links in the corner from the inside.  
Feed both ends of the downwards through the cable chain.  
Use the supplied re-useable cable straps to fix the cable to the chain for strain relief.

To remove the chain from the column, open two or three links above the mounting link.  
Depending on the end of the cable, you can now squeeze or push open the links to remove them from the mounting link.



DETAIL F

Fix the cables here, using re-useable cable straps for strain relief