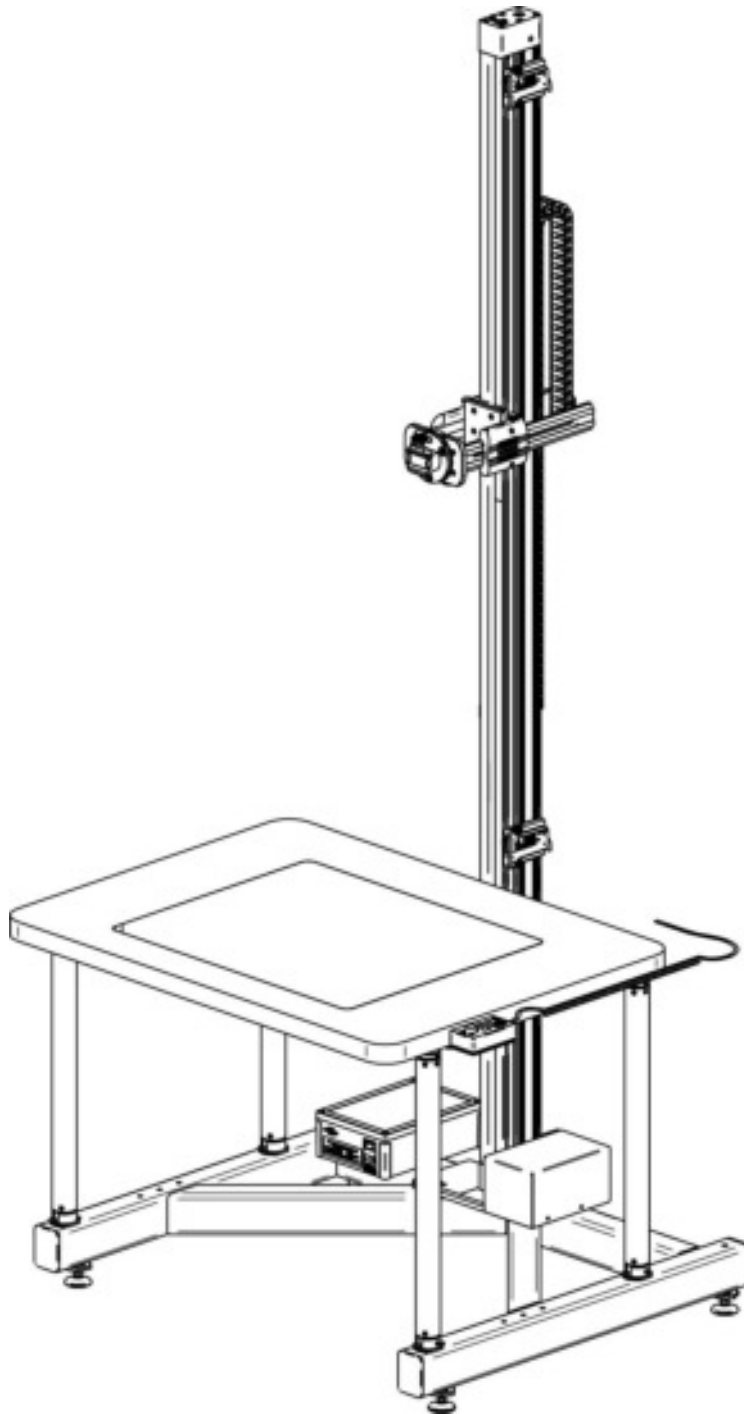


# RP1-2300 SYSTEM

---

## Installation Manual

Read carefully before using the RP1-2300 SYSTEM





# Contents

1	RP1-2300 SYSTEM OVERVIEW .....	2
2	Setting up the RP1-2300 System .....	3
2.1	Unpacking the base .....	3
2.2	Leveling the Base .....	4
2.3	Applying the column to the base .....	5
2.4	Leveling the column .....	6
2.5	Applying the board to the base .....	6
2.5.1	Applying the baseboard with extenders .....	6
2.5.2	Applying the baseboard without extenders .....	7
2.6	Wall mount installation .....	7
2.7	Installing the cross arm .....	9
2.7.1	Applying the quick release .....	9
2.7.2	Leveling the quick release .....	9
3	Connecting the RP1-2300 System .....	11
3.1	Safety warnings before use .....	11
3.2	Interface and connections.....	12
3.2.1	Interface .....	12

# 1 RP1-2300 SYSTEM OVERVIEW

1. RP1-2300 AUTOCOLUMN XL
2. Remote control
3. Power supply
4. Base
5. Baseboard
6. Flat baseboard inlay module
7. Baseboard height extenders
8. LED baseboard inlay module (Optional)
9. Wall mount brackets (Optional)

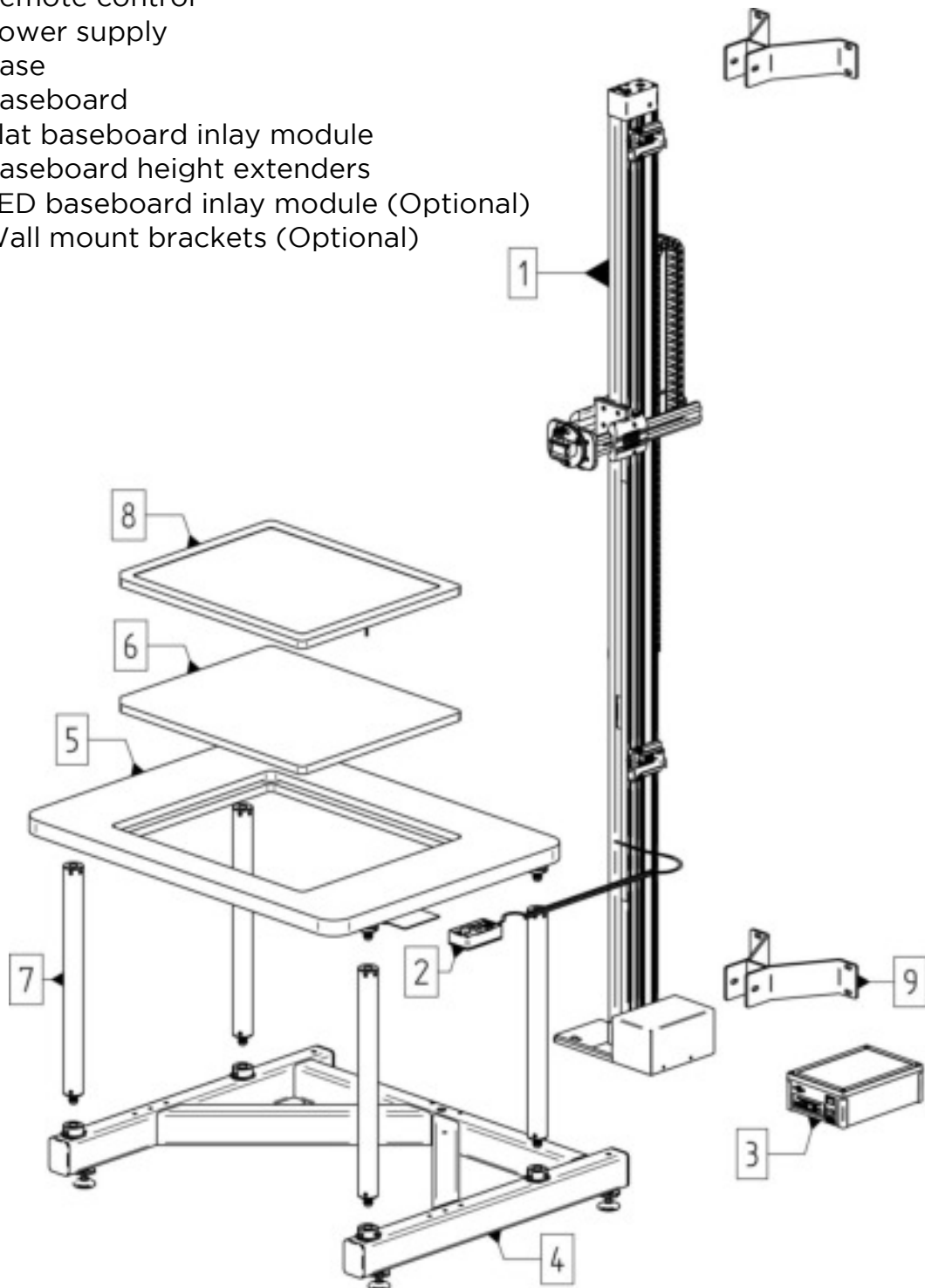


Figure 1 RP1-2300 SYSTEM

## 2 Setting up the RP1-2300 System

### 2.1 Unpacking the base

**CAUTION**, when removing or placing the baseboard from or to the base

It's advised to perform the following instructions with two persons. Please remove or insert the baseboard uniformly distributed and parallel to the base to prevent jamming.

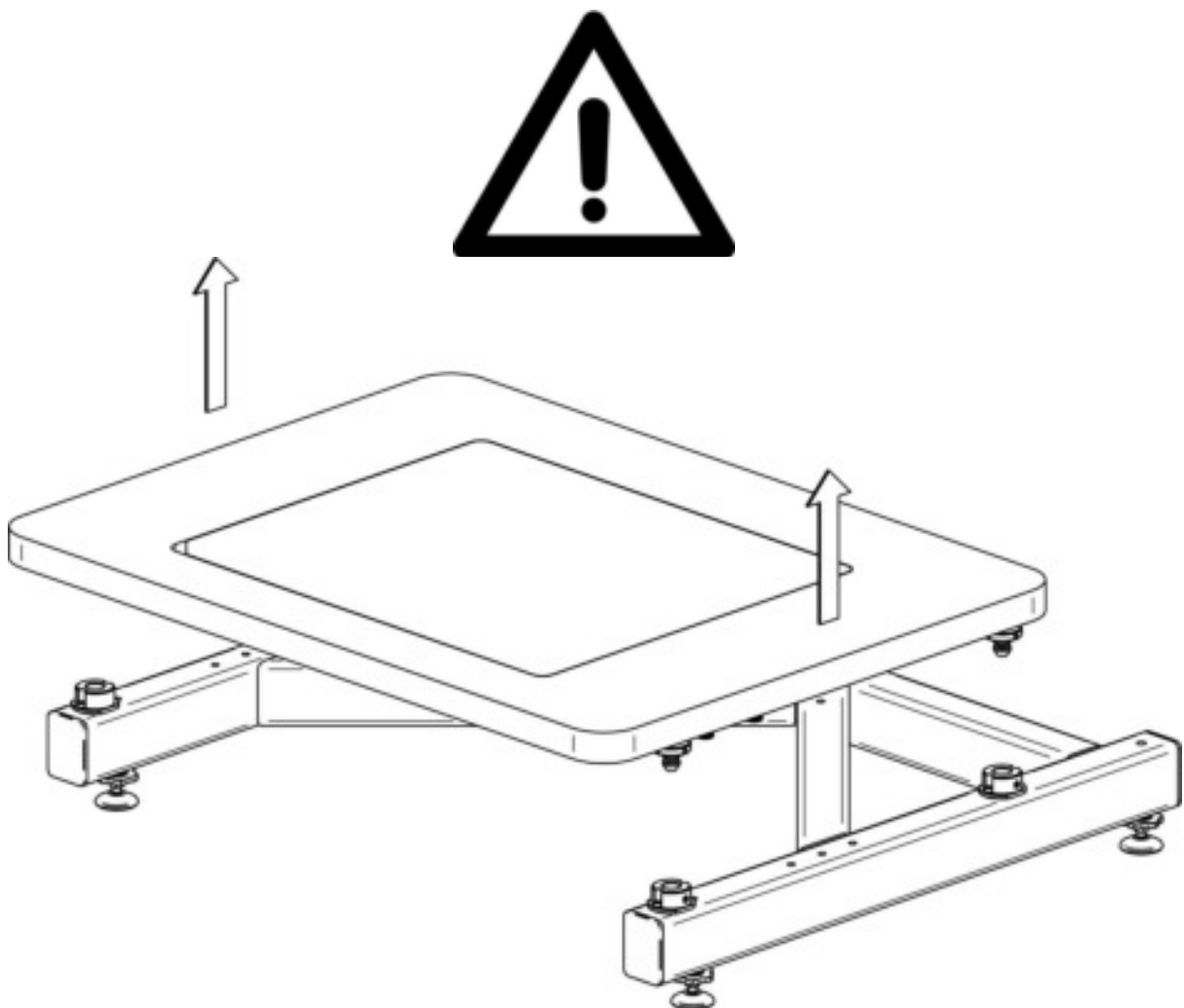


Figure 2 Unpacking the Base Board

## 2.2 Leveling the Base

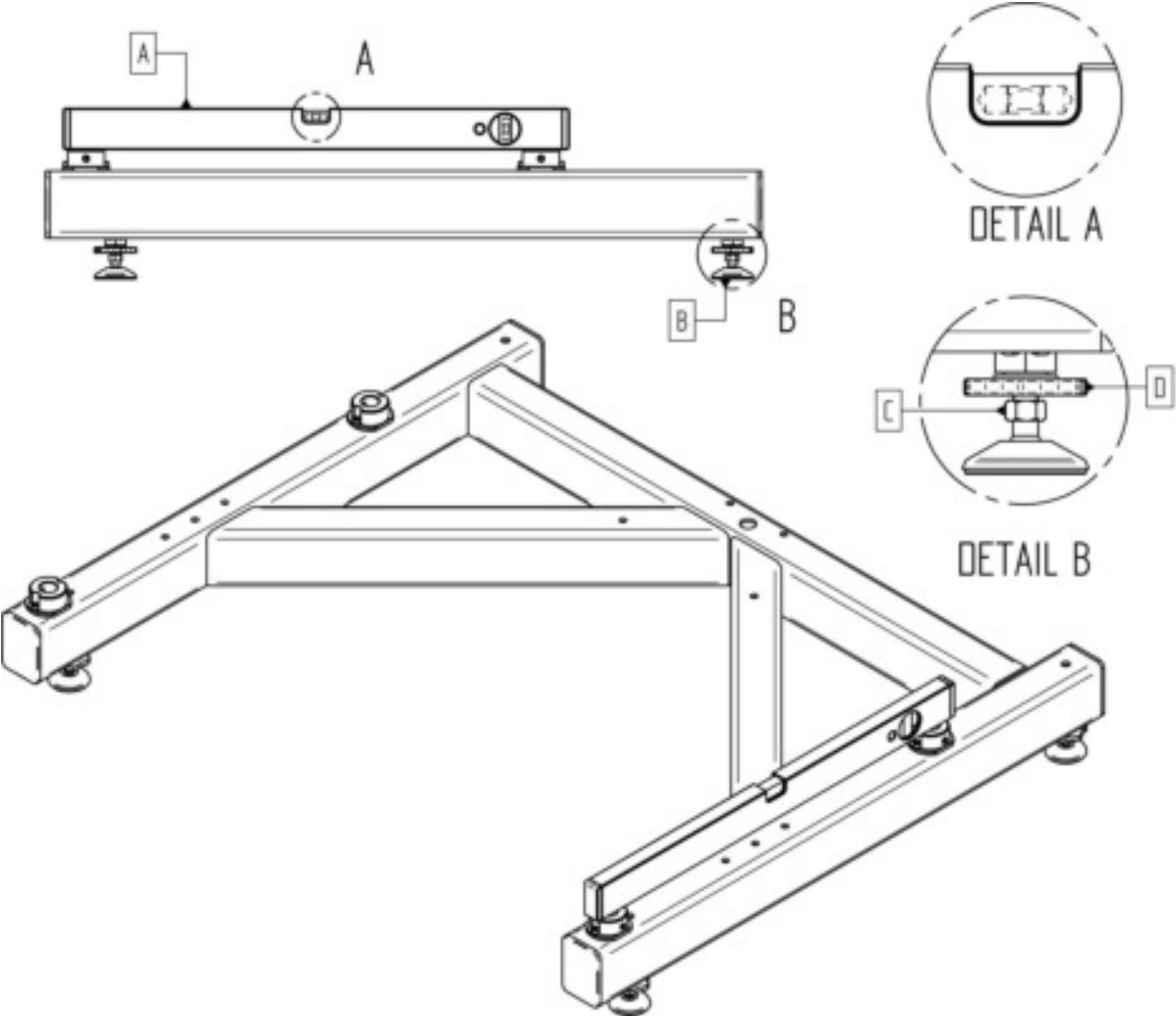


Figure 3 Leveling the Base

To correctly level the RP1-Base you will have to use a spirit level [A]. The base features four adjustable feet [B]. To level the base, loosen locking ring [D] then use a spanner (metric 14mm) to adjust the height of the feet by turning nut [C]. When the base is leveled make sure to retighten locking ring [D].

### 2.3 Applying the column to the base

The column must be fixed to the base by using four M8x10 countersunk bolts [A] (Hexagon socket Allen key 5mm) and four M8 nuts [C] (Metric spanner 13mm). It is advised to set up the column with two persons. Place the column on the base and insert bolts [A], place the washers and nuts on the bolts from the bottom. Do not fully tighten the bolts and nuts before all four are placed. When all four bolts are in place, tighten the bolts and nuts firmly using the 5mm Allen key and 13mm spanner.

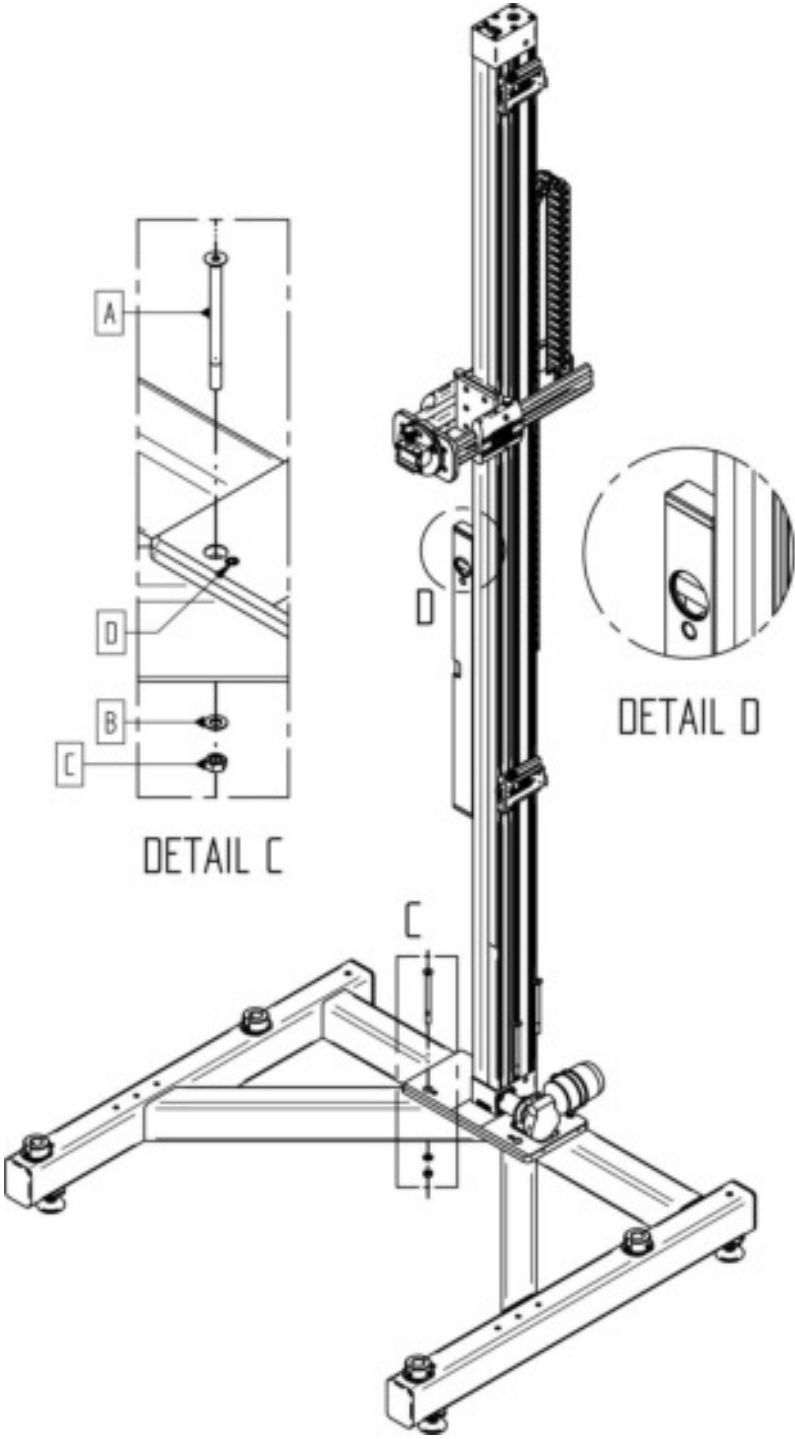


Figure 4 Mounting the column to the base

## 2.4 Leveling the column

Use a spirit level [detail D] to check if the column is leveled. Make sure the base is correctly leveled first. Please only perform this operation when necessary. If the column is slightly off, the four set screws [D] near the bolts [A] can be used to fine adjust the level of the column. To level the column slightly loosen bolts [A] and screw the appropriate setscrew [D] using the 5mm Allen key. When the column is leveled, retighten bolts [A] firmly.

## 2.5 Applying the board to the base

It is advised to perform the baseboard placement with two persons.

### 2.5.1 Applying the baseboard with extenders

Before applying the extenders to the base, make sure all the setscrews [D] and [E] are fully loosened. Place the four extenders [C] in the base couplers [B]. Do not tighten the base coupler set screws yet! Insert the baseboard pins in the extenders, make sure to let the baseboard pins sink in uniformly. Now first tighten the extender locking set screws [4x]. Finally lock the extenders to the base by tightening the base coupler set screws.

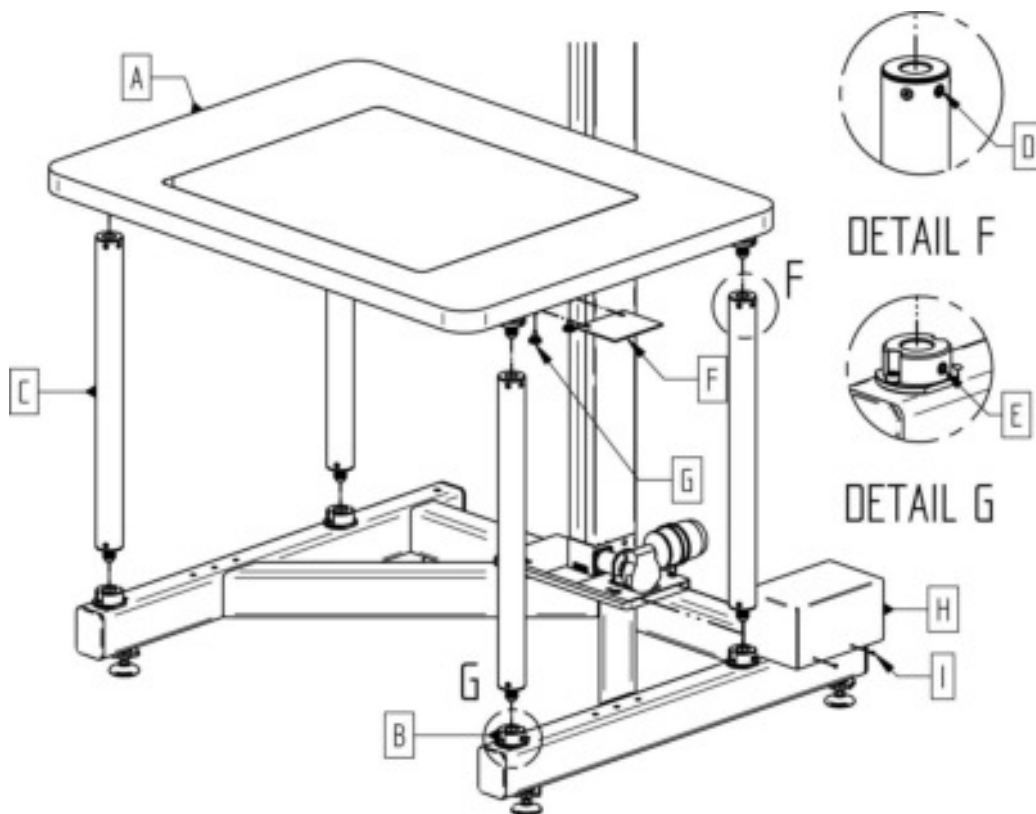


Figure 5 Applying the baseboard on extenders

After the baseboard is fixed you can apply the motor case [H] by using the two supplied M3x4 cylinder head bolts [I] using a 2mm Allen key. Finally the remote holder [F] (which is mounted to the baseboard inversely) can be mounted to the baseboard by using locking knobs [G]



## 2.5.2 Applying the baseboard without extenders

Before applying the baseboard to the base, make sure locking screws [E] inside base couplers [B] are fully loosened. Apply the baseboard to the base by uniformly sinking the baseboard pins in the base couplers. Make sure to retighten the locking set screws [E 4x] after the placement.

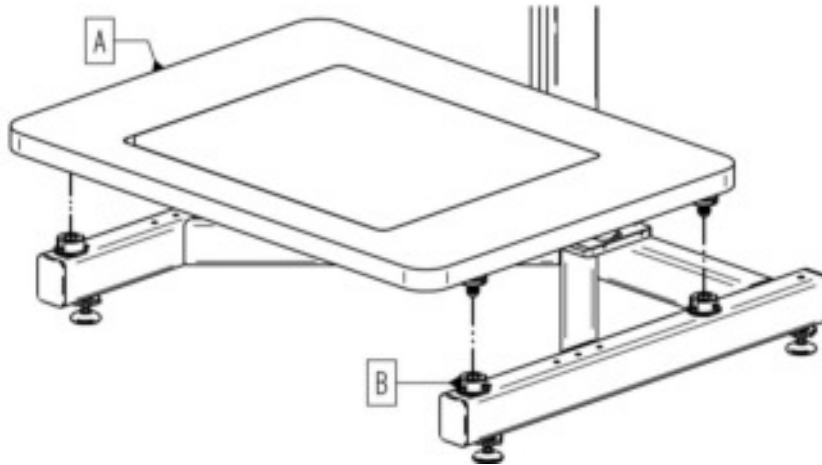


Figure 6 Applying the baseboard to the base

## 2.6 Wall mount installation

Besides mounting the column to the base it is optional to order brackets for a wall mounted system. When installing the wall mounted system start by applying the top bracket [A] to the wall. Make sure the distance between the floor and the bottom mounting hole is at least 225CM. Fix the top bracket to the wall first with a minimum of one screw on each side. Use a spirit level during mounting to make sure the bracket is fixed to the wall leveled.

Now fix the bottom bracket to the bottom of the column by using the two bolts [D] and washers [C]. Place the bolts in the designated holes of the bottom mounting block of the column. Fix the column to the wall mounted to bracket. Level the brackets and column by using a spirit level and fix the bottom bracket to the wall with at least one screw on each side.

For fine tuning the position of the column both the top and bottom bracket contain a set screw [E]. Before using the set screws, slightly loosen bolts [D] then tighten or loosen set screws [E]. when the column is leveled, retighten bolts [D].

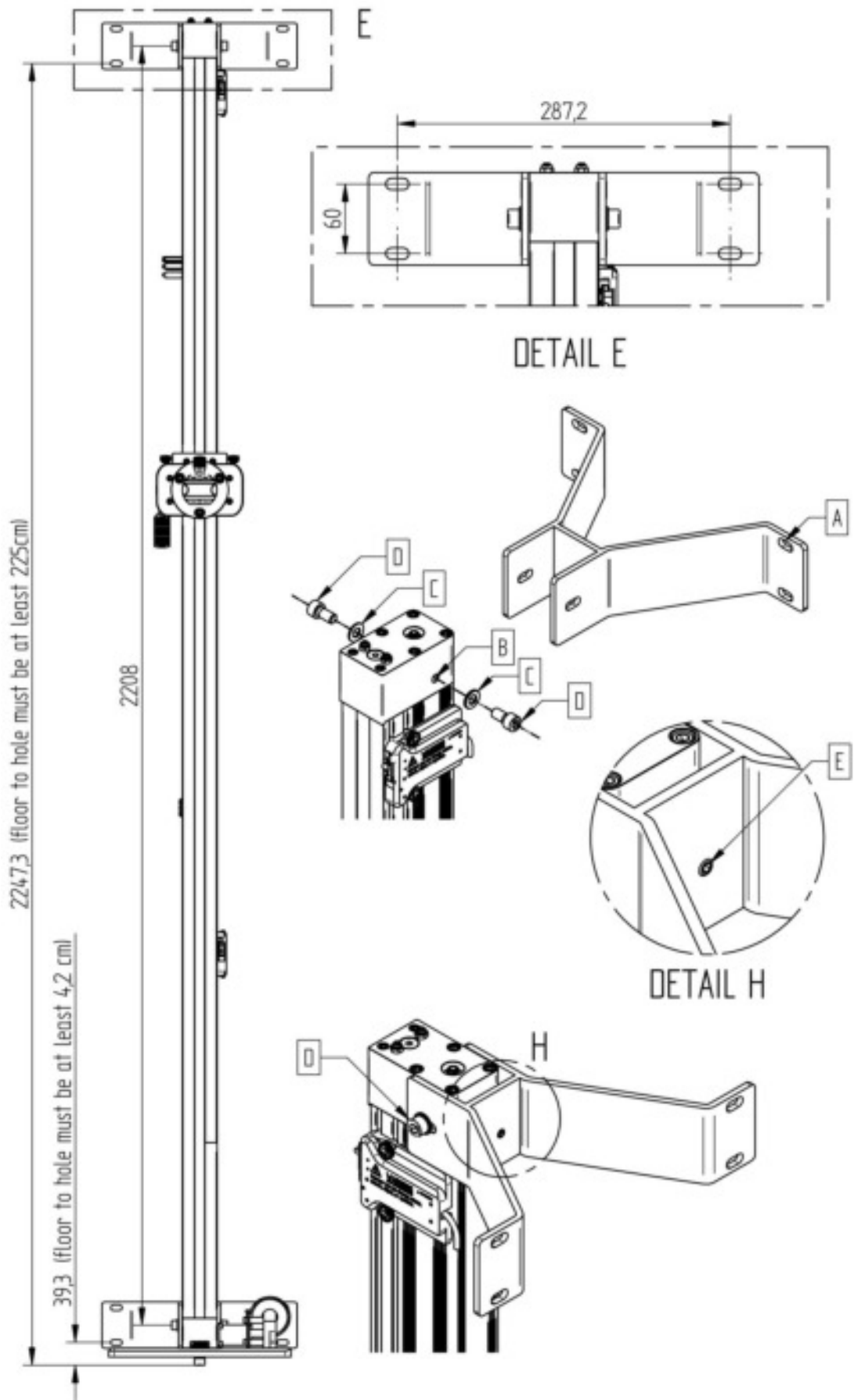


Figure 7 RPI-2300 wall mounted setup

## 2.7 Installing the cross arm

### 2.7.1 Applying the quick release

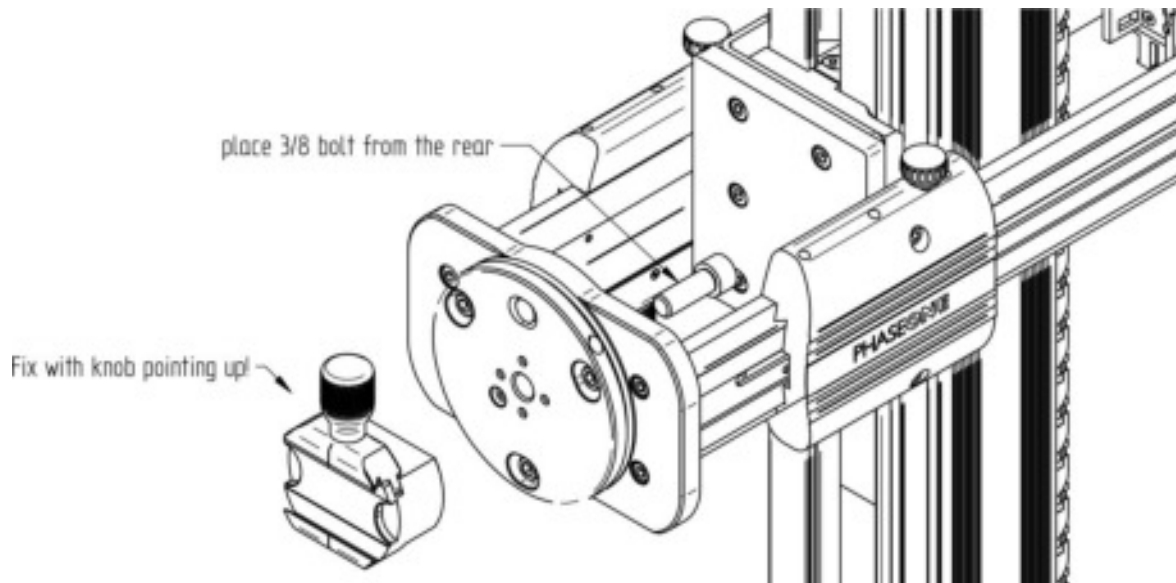


Figure 8 Mounting the quick release clamp

Fix the quick release to the cross arm with the locking knob facing up. Push the QR pins in the designated holes of the leveling plate and secure it in position by using the supplied “3/8 bolt and “5/16 Allen key.

### 2.7.2 Leveling the quick release

When the QR-clamp is fixed it can be leveled in the horizontal en vertical plane separately. To level the QR in the horizontal plane use a 2,5mm Allen key to set screws [A1] and [A2] (See figure 9). To adjust the QR clockwise, fully loosen setscrew [A1] and tighten [A2] until the QR is leveled horizontally. Retighten [A1]. Do not over-tighten! To adjust the QR counterclockwise fully loosen [A2] and tighten [A1], retighten [A2] when leveled.

To level the vertical plane tighten or loosen bolts [B2] and [B3] to tilt or swing the leveling plate, using a 5mm Allen key.

**Note that tightening or loosening screw [B1] is only necessary in the exceptional circumstance that the adjustment of screw [B2] and [B3] is not sufficient.**

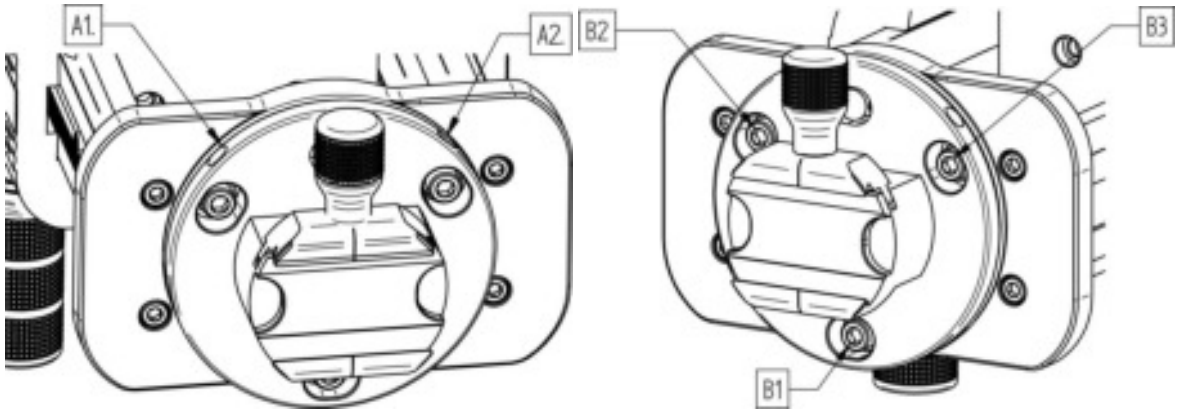


Figure 9 QR leveling plate

## 3 Connecting the RP1-2300 System

### 3.1 Safety warnings before use



- ⚠ The motorized column features two height adjustable end-stops. When the cross-arm passes one of these end-stops the drive immediately stops. When positioned correctly these end-stops prevent collisions between the cross-arm or camera and the baseboard, floor, ceiling or object on the baseboard.
- ⚠ Before use make sure the cross-arm is positioned between the end-stops.
- ⚠ Before use make sure the end-stops are positioned at the correct height.
  - Place the top end stop at a height that the cross-arm or mounted camera will not be able to hit the ceiling or any objects hanging from the ceiling before reaching the end-stop first.
  - Place the bottom end-stop well above the floor, baseboard, or objects on the floor or baseboard. So the cross-arm will reach the end-stop before the mounted camera will collide with any objects below.
- ⚠ Ensure the cables are guided properly at the back of the column.
- ⚠ Never disconnect the remote from the cable supply during use. This may cause damages to the electronic components!
- ⚠ Never disconnect the motor unit from the power supply during use. This may cause damages to the electronics.
- ⚠ The maximum weight that can be applied to the cross-arm at maximum extend is 5KG.

## 3.2 Interface and connections

### 3.2.1 Column Interface

- a. Cross-arm
- b. Cross-arm drive knob
- c. Cross-arm locking knob
- d. Arca compatible Quick release
- e. Quick release locking knob
- f. Top end-stop
- g. Top end-stop locking knobs
- h. Bottom end-stop
- i. Bottom end-stop locking knobs
- j. Cable track

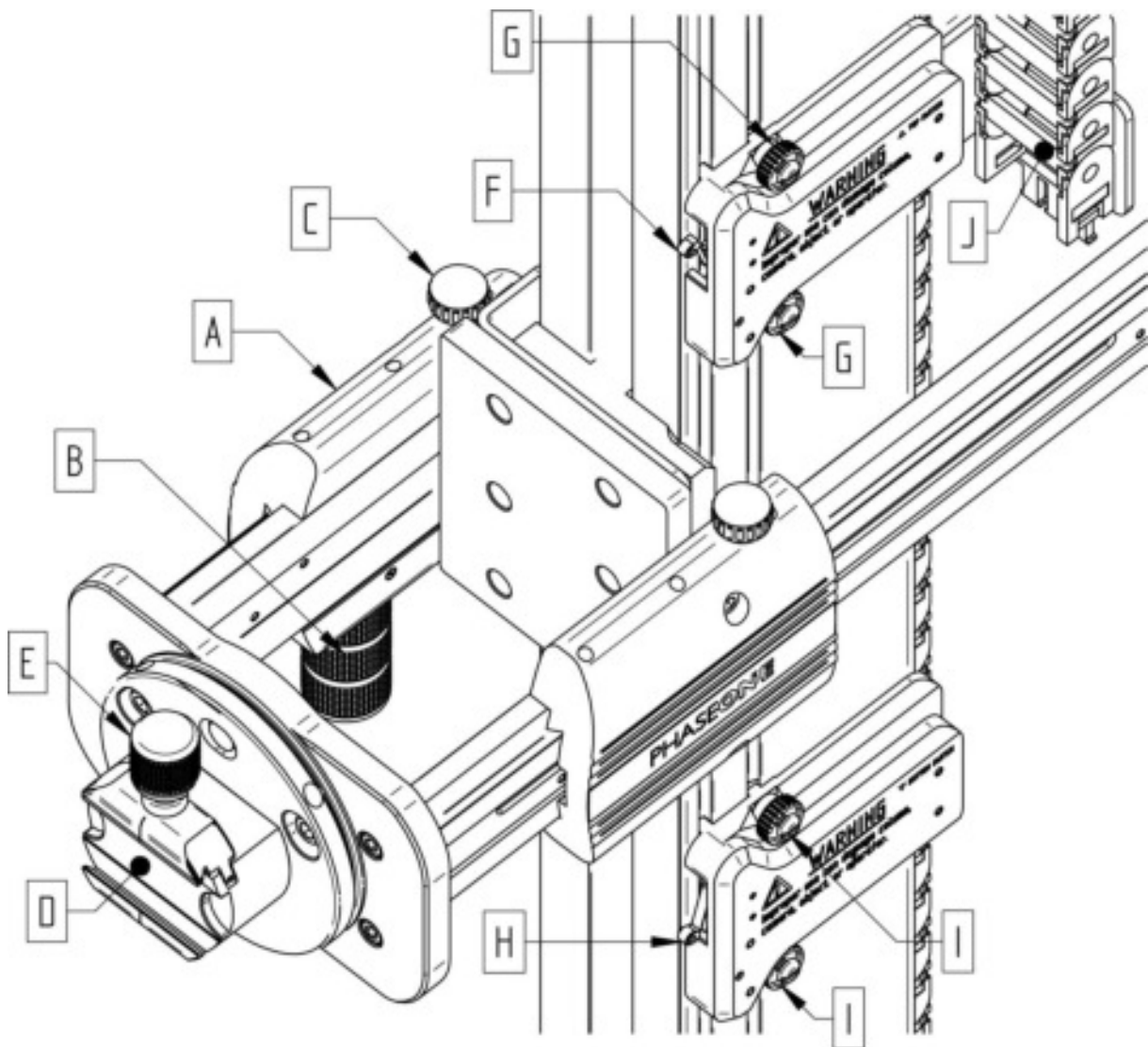


Figure 10 RP1-2300 Features

### 3.2.2 Remote control interface

- a. Pushbutton UP
- b. Pushbutton DOWN
- c. Low/High mode indication light
- d. Low/High mode pushbutton switch
- e. Speed control potentiometer
- f. Remote control cable socket
- g. Magnetic back
- h. Weight compensation potentiometer\*

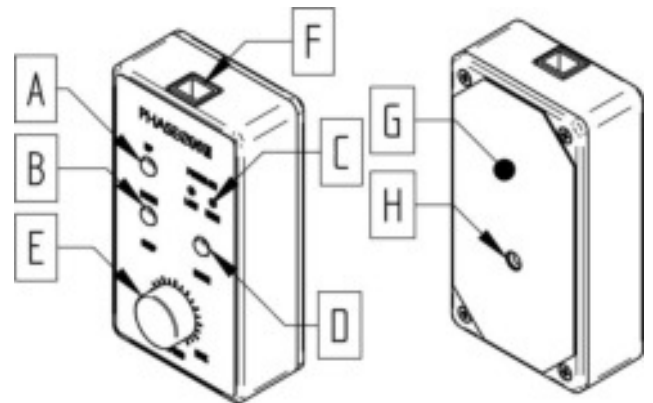


Figure 11 Remote control

⚠ Because of the weight of the camera, the downward speed will be higher than the upward speed. This speed difference can be controlled on the rear of the remote control. By using a small screw driver you can control the weight compensation potentiometer through hole [H].

### 3.2.3 Power supply interface

- a. On/Off switch
- b. AC power cable socket
- c. USB (type B) Laptop connection socket
- d. Remote control socket
- e. Column connection socket
- f. Power supply serial number

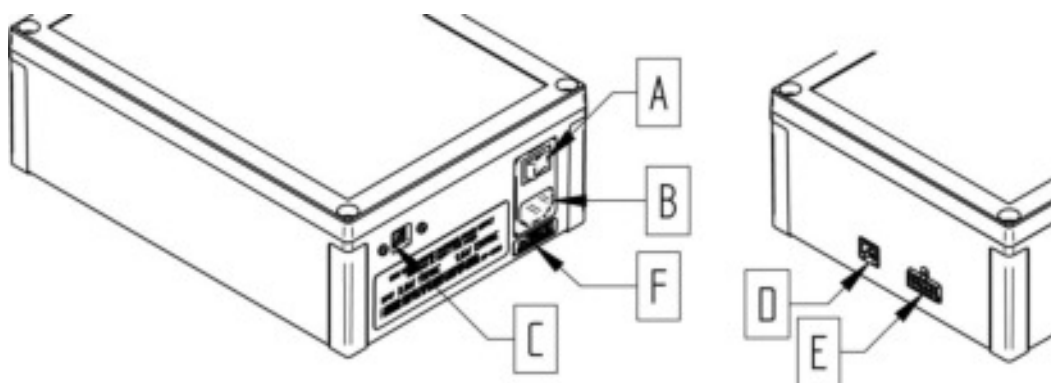


Figure 12 Power supply unit

⚠ Only use the supplied cables!

### 3.3 RP1-2300 Connection scheme

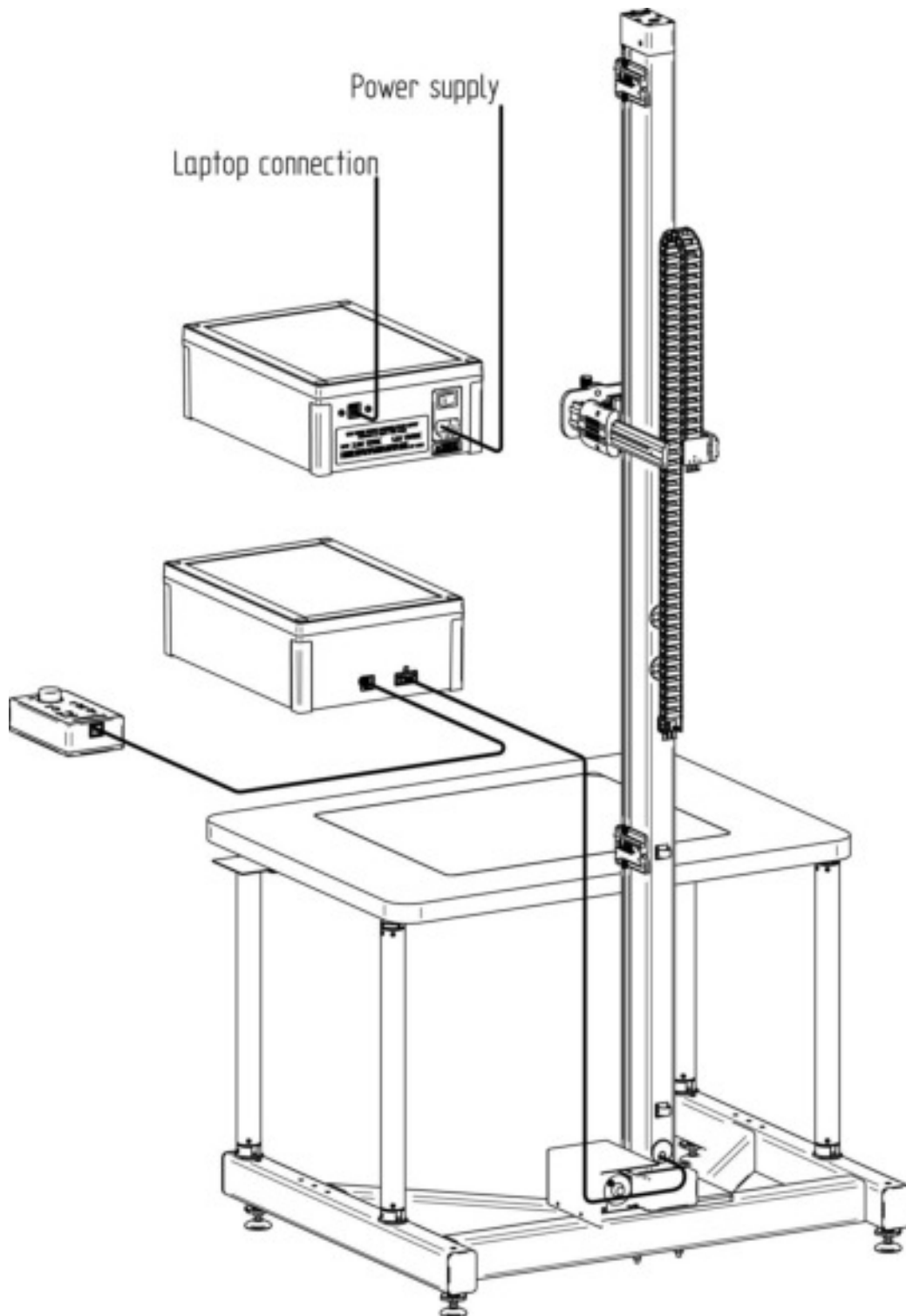


Figure 13 Connection scheme

- ⚠ WARNING!: Before connecting the AC cable, please determine if the input power specified on the power supply corresponds with the AC power used in your area
- ⚠ WARNING!: Never unplug any of the connectors when the unit is in use, this may damage the electronics.





