



# RSM 300mm Lens

## Focus Lock Guide

## Overview

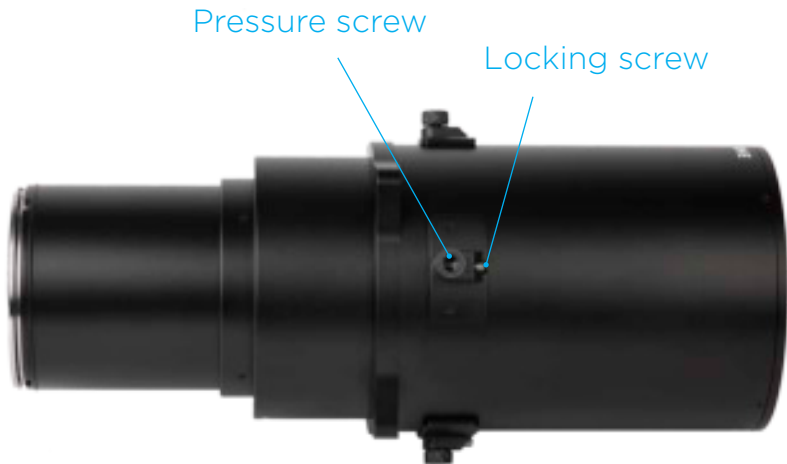
The RSM 300 mm F4.5 lens is integrated with a unique focus lock mechanism.

By default the focus is calibrated and locked to infinity.

In order to re-calibrate the focus, follow this procedure.

The following tools are required:

- 2 mm hex key
- 5 mm hex key

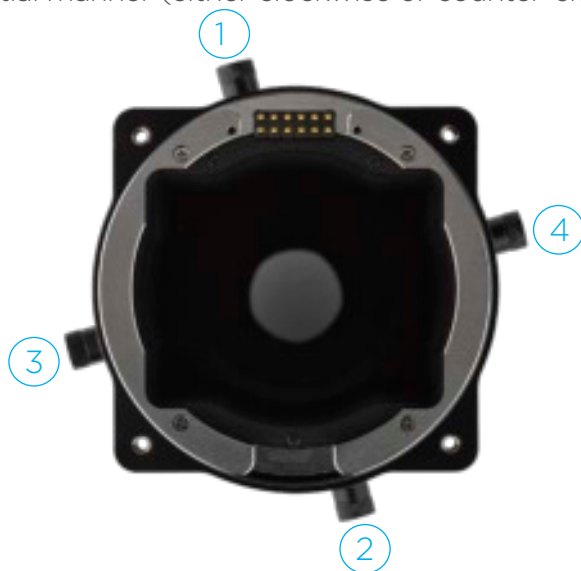


## Adjusting the Focus Lock

1. Unscrew the locking screw with the 2 mm hex key. Do not remove the screw completely.



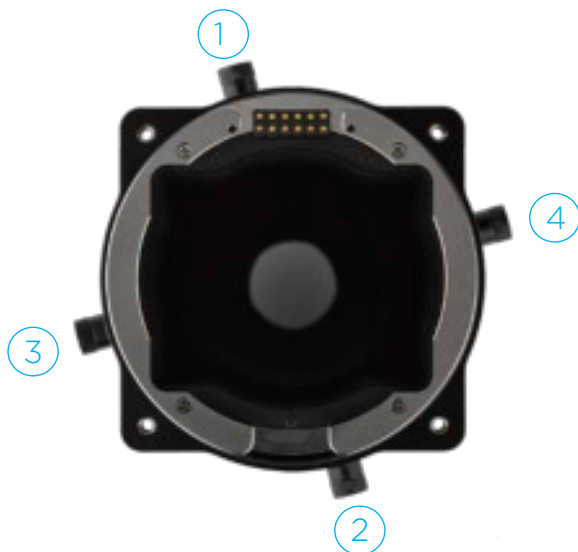
2. Repeat this action for all remaining locking screws in a sequential manner (either clockwise or counter-clockwise.)



3. Unscrew the pressure screw with the 5 mm hex key. Do not remove the screw completely.



4. Repeat this action for all remaining locking screws in a sequential manner (either clockwise or counter-clockwise.)

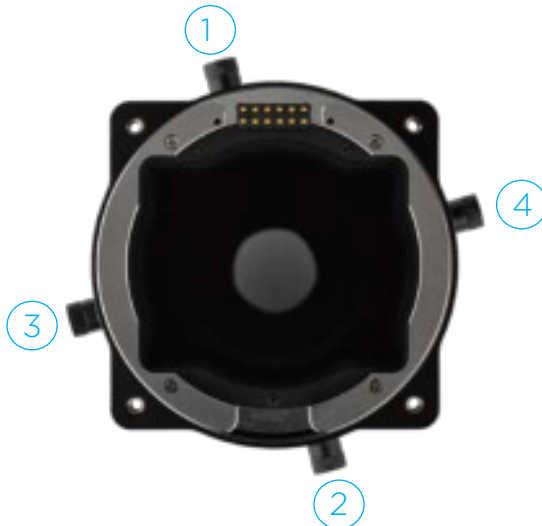


5. Set the desired focus by using iX Capture



6. Tighten the pressure screws with a 5 mm hex key using a torque of 20 cNm. Follow the order shown in the photo on the right.

7. Take a picture to make sure the correct focus is set.



8. Tighten the locking screws with a 2 mm hex tool using a torque of 20 cNm.



---

**PHASEONE**  
IMAGING BEYOND IMAGINATION

Visit the website for additional information  
[industrial.phaseone.com](http://industrial.phaseone.com)