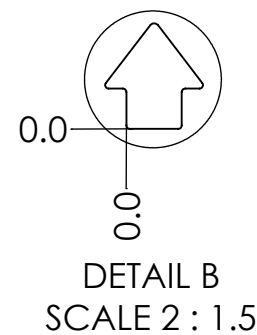


6 x M4  $\nabla$  6 max  
THREADS FOR MOUNTING



This document contains proprietary information and is not to be reproduced or used without the written permission of Phase One Denmark A/S

# PHASEONE

Date: 02/06/2020  
Signature: Tal Dick

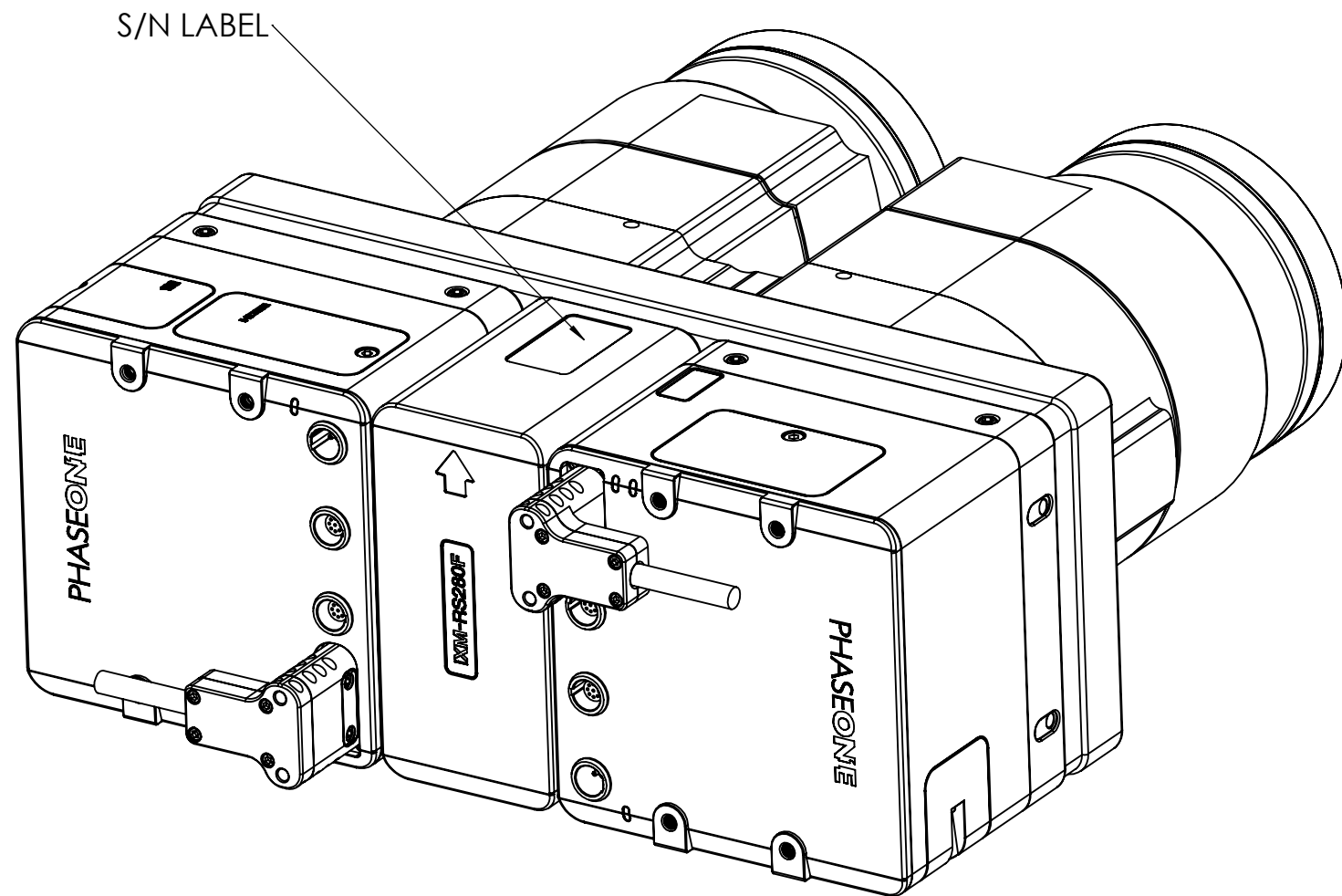
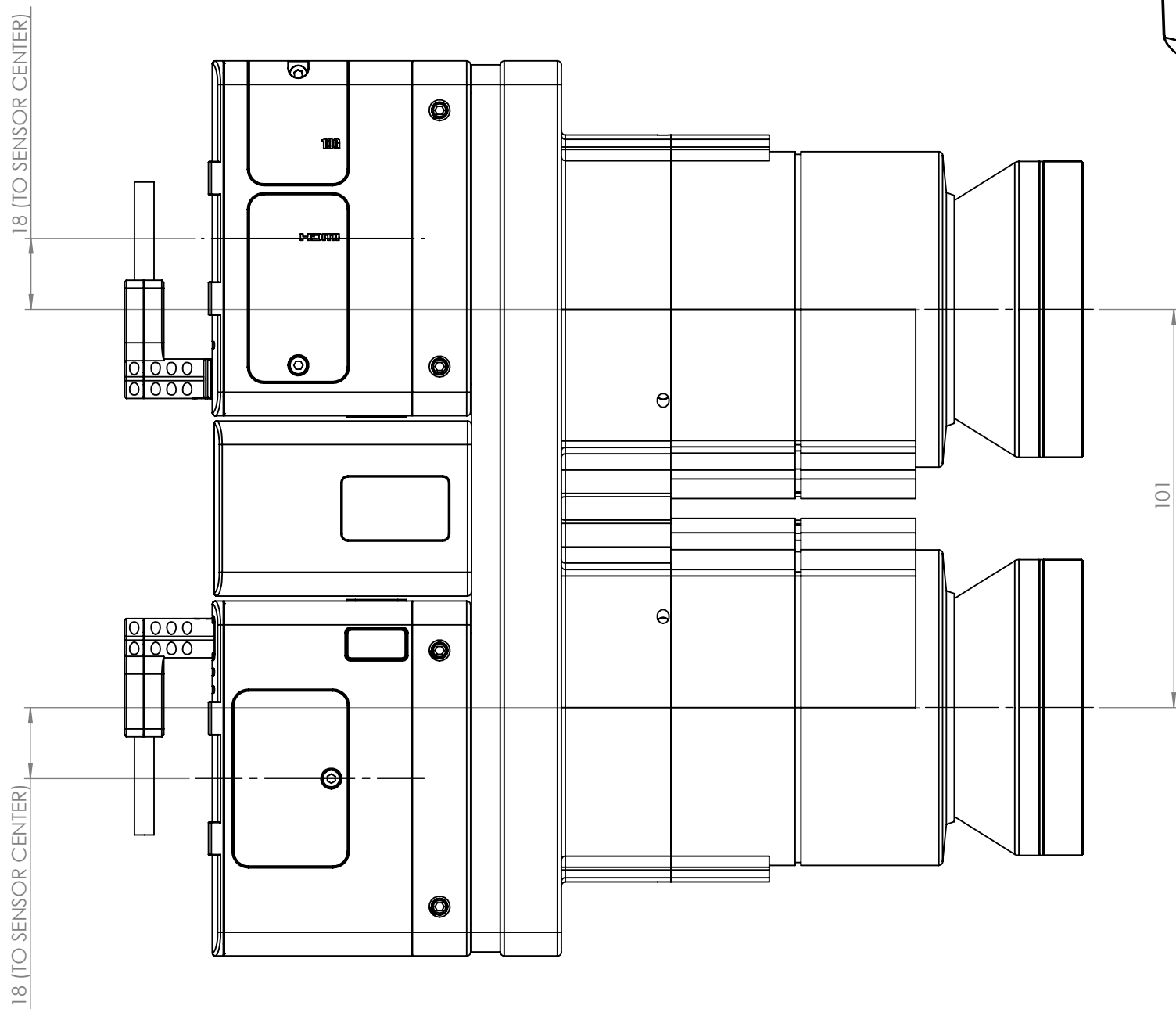
Product change  
A3  
MILLIMETERS UNLESS SPECIFIED

## PHASE ONE iXM-RS 280F CAMERA

part number	Scale	Revision	pages	sheet
N/A	1:1.5		2	1



This document contains proprietary information and is not to be reproduced or used without the written permission of Phase One Denmark A/S



# PHASEONE

Date: 02/06/2020

Product change

Signature: Tal Dick

A3

MILLIMETERS UNLESS SPECIFIED

## PHASE ONE iXM-RS 280F CAMERA

part number	Scale	Revision	pages	sheet
N/A	1:1.5		2	2