

LENS	TOTAL LENGTH X	X _c (CAMERA MOUNT TO CENTER OF GRAVITY)	EP (CAMERA MOUNT TO ENTRANCE PUPIL)	TOTAL WEIGHT(gr)
80mm AF	163.7mm	12.5mm	69.1mm	1280
150mm AF	199mm	27.5mm	91mm	1395

PHASEONE

Date: 25/04/2018

Product change

Signature: Zach Nahum

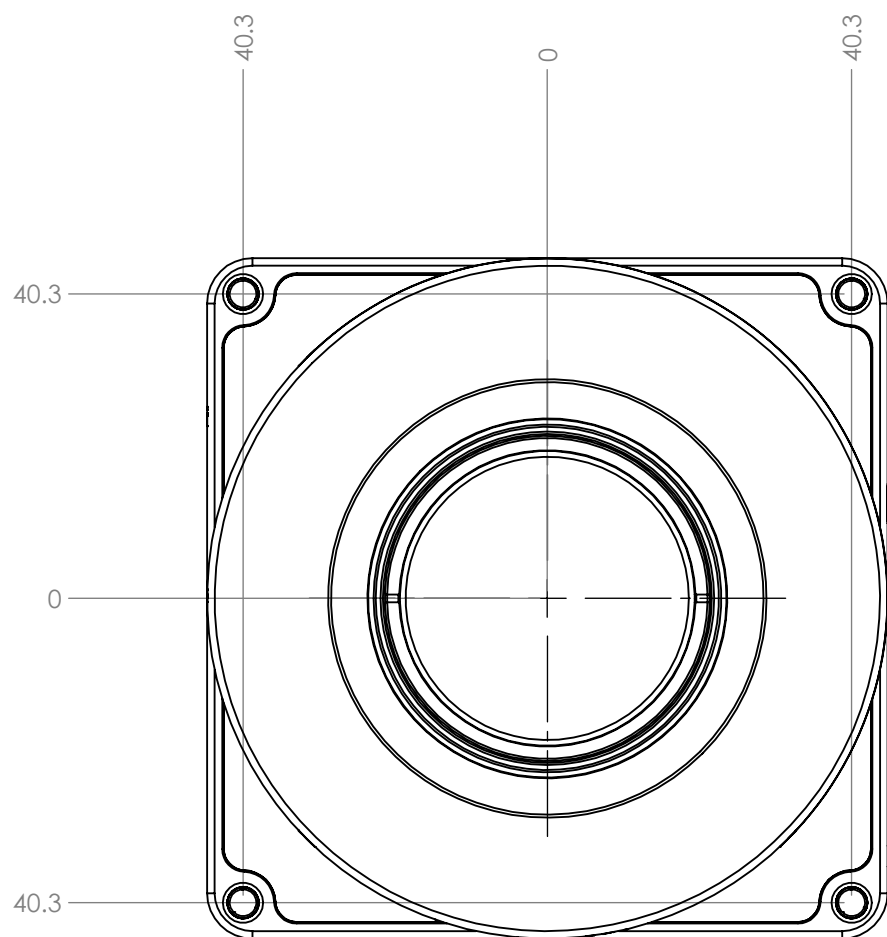
MILLIMETERS UNLESS SPECIFIED

IXM-100 - 80/150mm AF LENSES

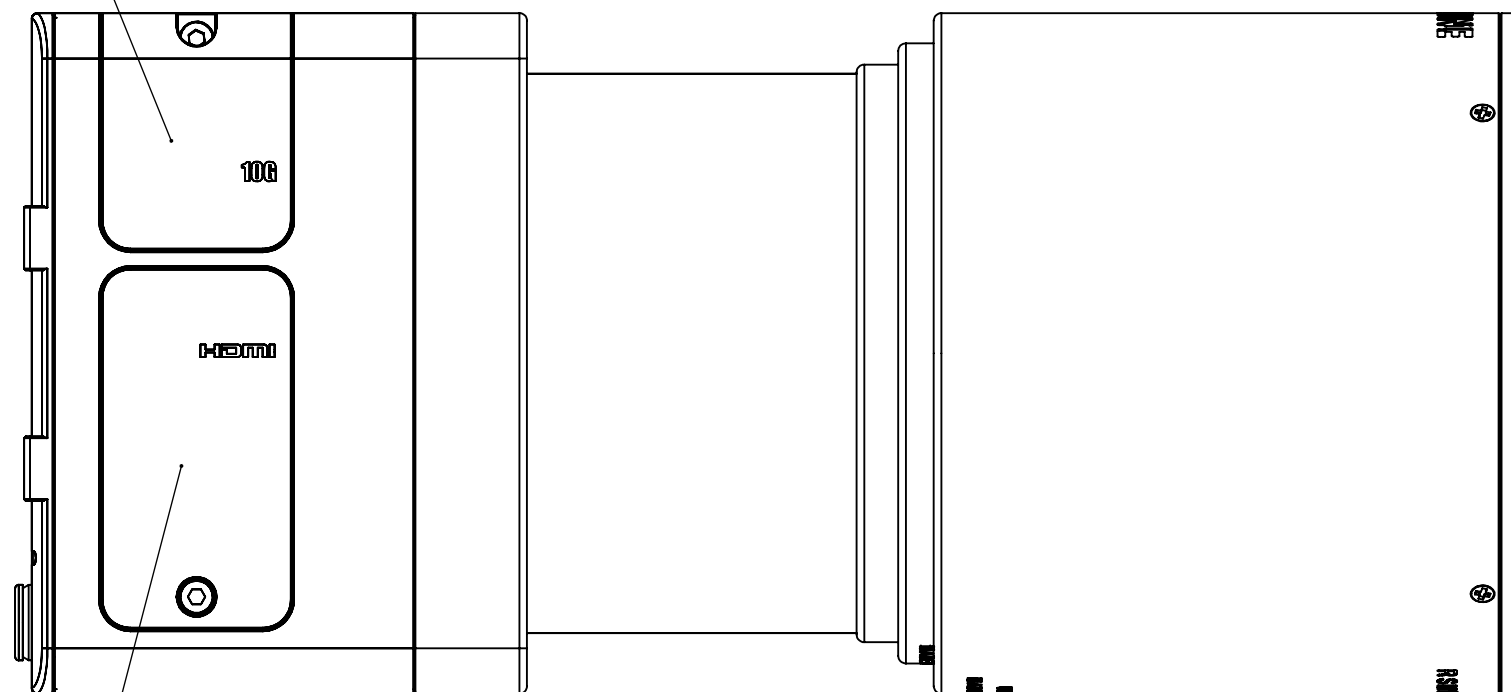
part number	Scale	Revision	pages	sheet
XXXXXXXX	1:1	1	1	1



This document contains proprietary information and is not to be reproduced or used without the written permission of Phase One Denmark A/S



ETHERNET 10G



HDMI PORT

PHASEONE

Date: 25/04/2018

Product change

Signature: Zach Nahum

MILLIMETERS UNLESS SPECIFIED

iXM-100 - 80/150mm AF LENSES

part number	Scale	Revision	pages	sheet
XXXXXXXX	1:1	1	1	1