

LENS	TOTAL LENGTH X	Xc (CAMERA MOUNT TO CENTER OF GRAVITY)	EP (CAMERA MOUNT TO ENTRANCE PUPIL)	TOTAL WEIGHT(gr)	Opening angle (long side)	Opening angle (short side)
35mm	144mm	1mm	56.1mm	1190	63	49.4
80mm	164.5mm	10mm	69.1mm	1120	30.4	23

PHASEONE

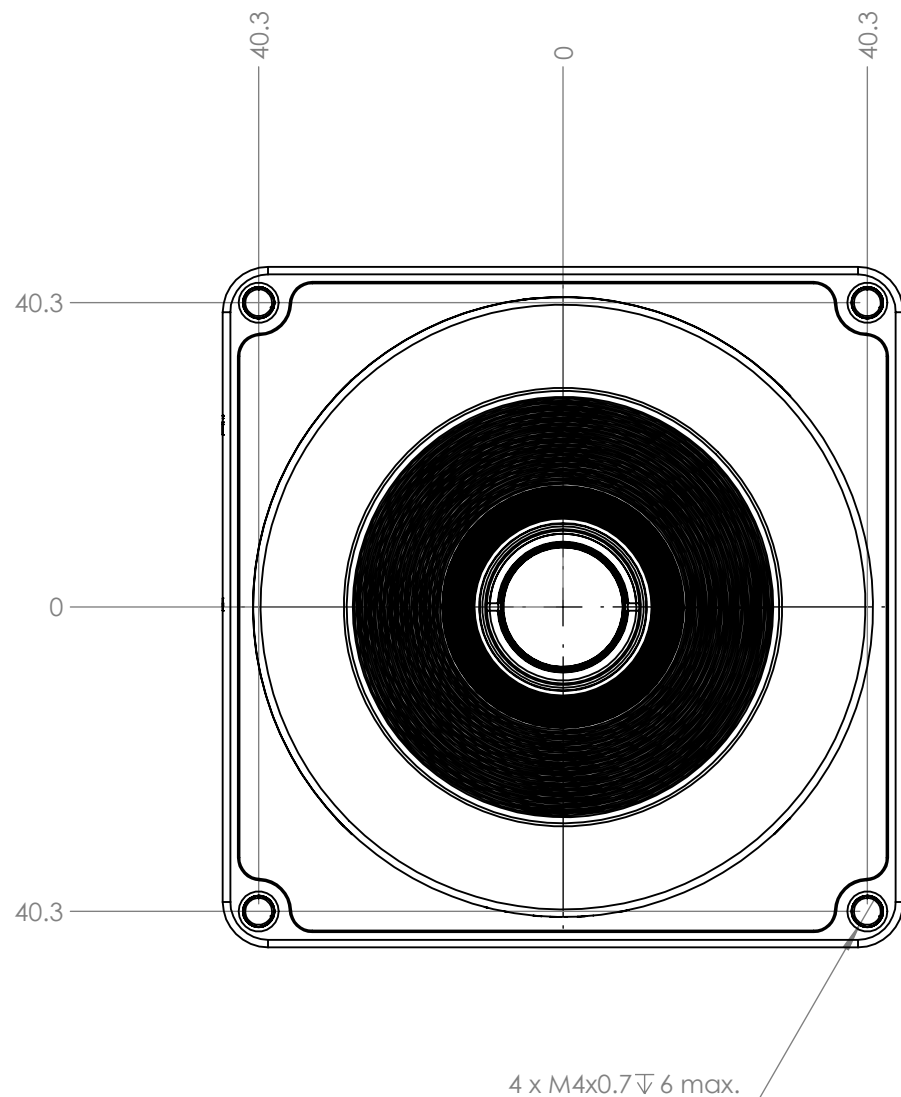
Date: 13/02/2018 Product change
 Signature: Zach Nahum
 MILLIMETERS UNLESS SPECIFIED

iXM-100 CAMERA

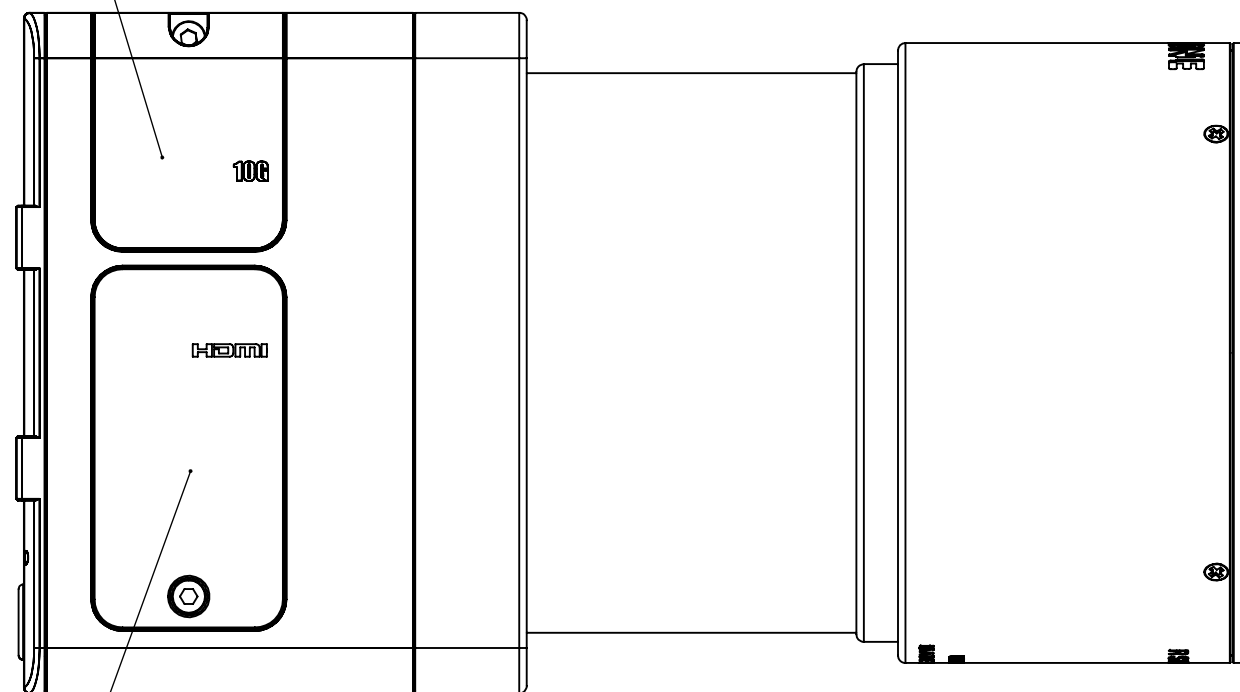
part number	Scale	Revision	pages	sheet
XXXXXX	1:1	1	1	1



This document contains proprietary information and is not to be reproduced or used without the written permission of Phase One Denmark A/S



ETHERNET 10G



HDMI PORT

PHASEONE

Date: 13/02/2018

Product change

Signature: Zach Nahum

MILLIMETERS UNLESS SPECIFIED

iXM-100 CAMERA

part number	Scale	Revision	pages	sheet
XXXXXX	1:1	1	1	1