

LENS	TOTAL LENGTH X	Xc (CENTER OF GRAVITY)	ENTRANCE PUPIL(EP)
40mm	170.5mm	7mm	26.7
50mm	177mm	0mm	30
70mm	175.3mm	7mm	37.4
90mm	220mm	-24mm	41.2

This document contains proprietary information and is not to be reproduced or used without the written permission of Phase One Denmark A/S

PHASEONE

Date: 30/05/2016 Product change

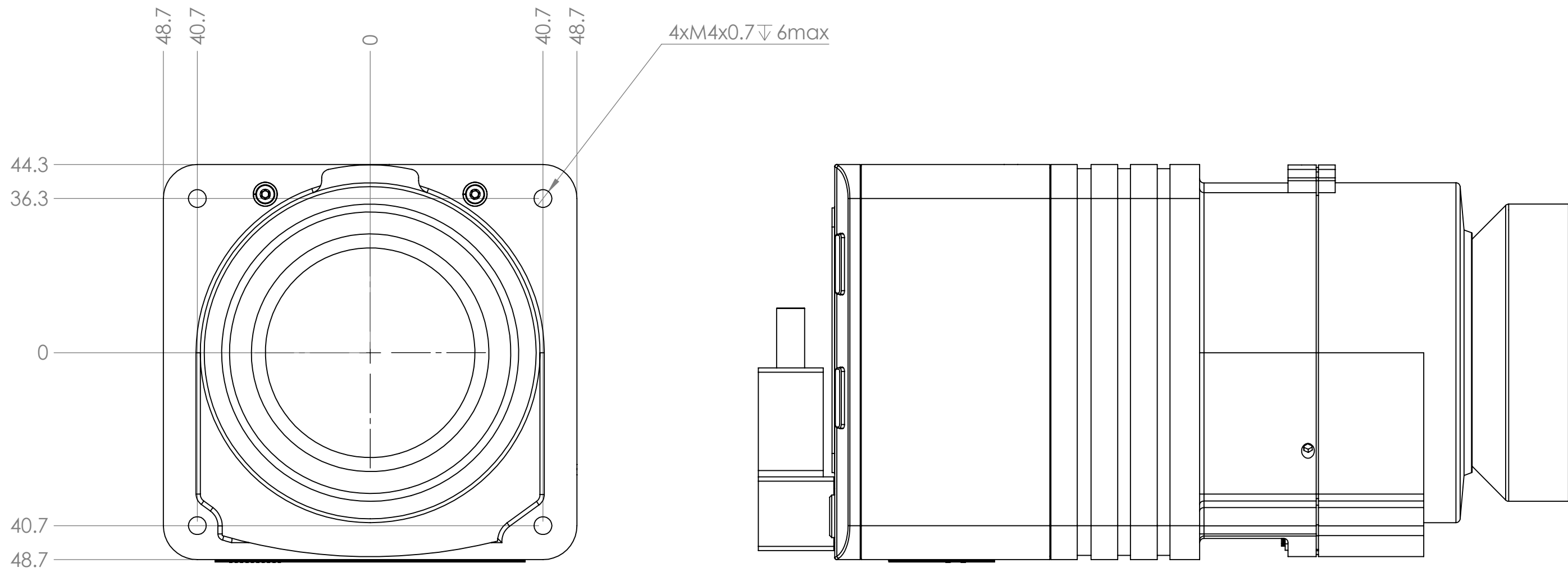
Signature: Zach Nahum MILLIMETERS UNLESS SPECIFIED

PHASE ONE iXU-R CAMERA

part number	Scale	Revision	pages	sheet
71911000	1:1	1	2	1



This document contains proprietary information and is not to be reproduced or used without the written permission of Phase One Denmark A/S



PHASEONE

Date: 30/05/2016 Product change
 Signature: Zach Nahum MILLIMETERS UNLESS SPECIFIED

PHASE ONE iXU-R CAMERA

part number	Scale	Revision	pages	sheet
71911000	1:1	1	2	2