

LENS	TOTAL LENGTH X	Xc (CAMERA MOUNT TO CENTER OF GRAVITY)	EP (CAMERA MOUNT TO ENTRANCE PUPIL)
32mm	182mm	-5mm	66.35mm
40mm	170.5mm	7mm	57.2mm
50mm	177mm	0mm	60.4mm
70mm	175.3mm	7mm	50.6mm
90mm	220mm	-24mm	91.25mm
110mm	180mm		61.2mm
150mm	192mm		77.4mm

PHASEONE

Date: 10/10/2016

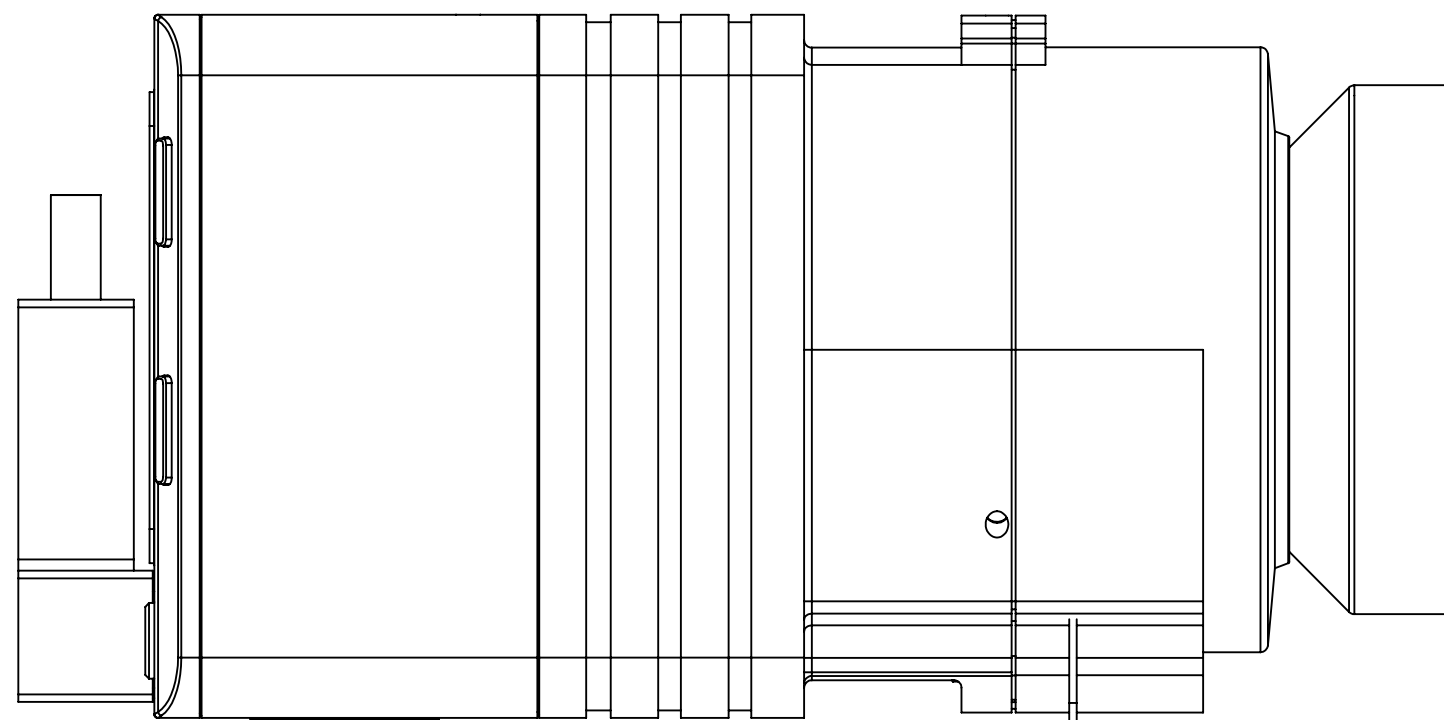
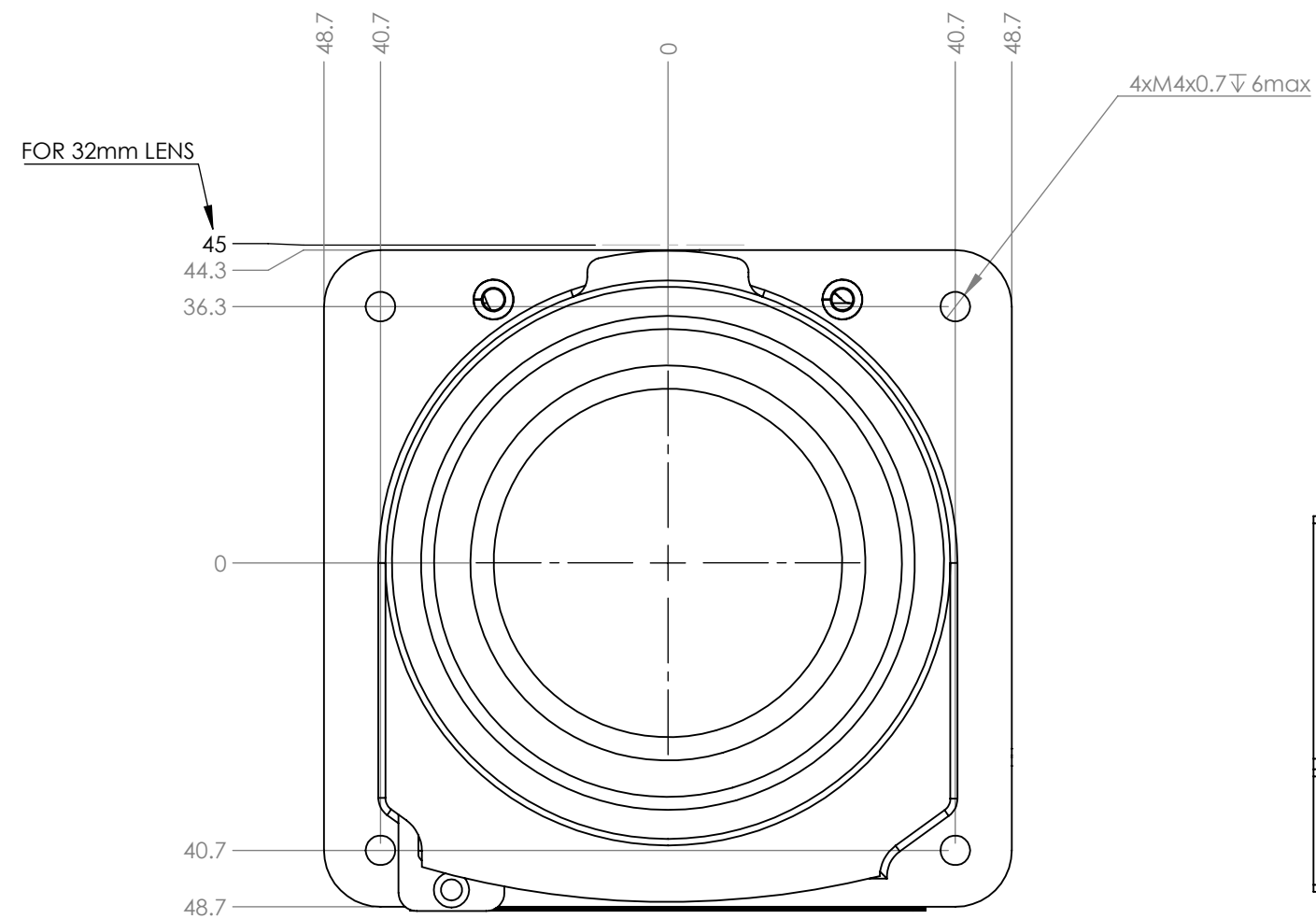
Product change

Signature: Zach Nahum

MILLIMETERS UNLESS SPECIFIED

iXU-RS CAMERA

part number	Scale	Revision	pages	sheet
71911000	1:1	1	2	1



This document contains proprietary information and is not to be reproduced or used without the written permission of Phase One Denmark A/S

PHASEONE

Date: 10/10/2016

Product change

Signature: Zach Nahum

MILLIMETERS UNLESS SPECIFIED

iXU-RS CAMERA

part number	Scale	Revision	pages	sheet
71911000	1:1	1	2	2